

SURE-FLOW DRAIN COATED WITH HI-TUFF TPO

DESCRIPTION & USE

Sure-Flow Drain coated with Hi-Tuff TPO consists of a TPO coated spun aluminum drain body, complete with a matt finish, cast aluminum strainer and a stainless steel securement bolt. It is ideal for use with Lexcan Hi-Tuff TPO membrane roofs. The TPO coated flange allows for a thermally fused bond/seal to the drain with the membrane as opposed to a bond/seal with adhesives, primers or mastics.

Retrofit	New Construction
2-3/4" for 3" Pipe	3" for 3" Pipe
3-3/4" for 4" Pipe	4" for 4" Pipe

Note: Hi-Tuff coat is not available with SuperDrains or Flip-Top Drains.



FEATURES & BENEFITS

Thermally fused – Adhesives, mastics and sealants can break down over time; whereas thermally fused materials are bonded/welded for long lasting performance

A Flatter Flange - Allows for “wrinkle-free” target patch.

Drainage right down to the Membrane - 3 open channels (wide mouth) to allow for maximum water drainage.

Heavy Duty Strainer - Matt finish, cast aluminum strainer is extremely strong and highly resistant to abuse or vandalism.

Secure Strainer Retention - Single bolt strainer securement provides for quick and easy strainer removal yet firmly holds the strainer in place.

Membrane Clamping - Strainer also acts as a clamping ring to mechanically hold/secure the roof membrane in place.

Full Insulating Value - Flat, funnel-less design permits rapid drainage without compromising the full thickness of the surrounding roof insulation.

INSTALLATION

Install the roof insulation and roof membrane, cutting an appropriate sized hole through both materials over the drain pipe. If using a pipe seal, connect it to the

drain downspout. Insert the drain downspout into the drainage pipe, ensuring a proper drain-to-pipe seal. When placing the drain flange onto the field, be sure to apply a bead of Water Cut off Mastic on the underside of the drain flange, approximately 12.7 mm (1/2”) to 25.4 mm (1”) from the perimeter. If desired, the drain may also be mechanically fastened to the structural deck with insulation screws (recommended). Fasten 4 screws 25 mm (1”) in from the edge of the flange. Place appropriate sized membrane flashing (TPO target patch) over top of the drain flange, minimum 152.4 mm (6”) past the flange on all sides, cut hole at the center of the target patch to the appropriate size. Fully weld the target patch to the flange and field sheet. Check welds with seam probe to ensure no voids. Apply Hi-Tuff TPO Cut-Edge Sealant, as required. Install any drain accessories as required and tighten the strainer bolt to the strainer securement bracket. Complete membrane flashing detail.

SPECIFICATION

Spec Note: Choose desired choice from alternative options in square brackets.

[New Construction; Retrofit] Drain body shall consist of 1.6 mm (0.064”) seamless spun aluminum with a minimum TPO coat thickness of 20 mm (0.79”).

Visit our video channel: <https://vimeo.com/channels/lexcorEN>

COMMERCIAL BUILDING PRODUCTS

Ontario & Western Canada
1.800.268.2889



Quebec & Atlantic Canada
1.800.363.2307

FLASH-TITE

SURE-FLOW DRAIN

COATED WITH HI-TUFF TPO

LEXCOR

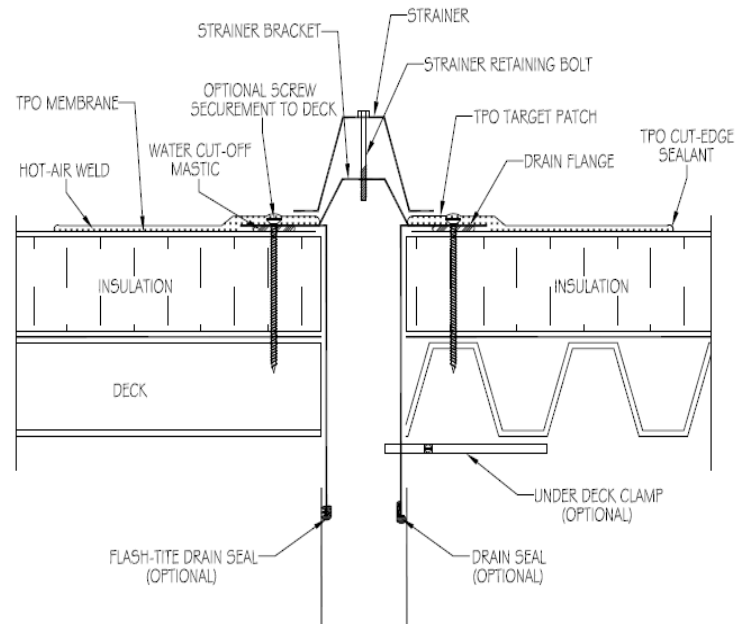
Strainer shall be fabricated from sand blasted, matt finish, heavy duty cast aluminum. Strainer shall be a 140 mm (5.5") high, secured to the drain body's strainer bracket with a 6 mm (1/4") single stainless steel bolt.

Optional: Drains shall be supplied with [Stainless Steel Ballast Guard; Flow Control Insert].

Drains shall be inserted into the drain pipes as shown on the shop drawings and secured to the deck with the [Integral Deck Clamp (IDC); Under Deck Clamp (UDC)] secured tightly to the underside of the deck. Seal the drain to the drainpipe with the appropriate size [Maxxflo Retrofit Roof Drain Seal; Flash-Tite™ Drain Seals; mechanical joint connector].

Flash the drains into the roofing system in accordance with [NRCA guidelines; CRCA guidelines; the requirements of the roof membrane manufacturer]. Secure strainer to the drain body using the strainer securement bolt.

ACCEPTED PRODUCT: Sure-Flow Drain coated with Hi-Tuff TPO™ by Lexsuco Corporation (www.lexcor.net, Tel: 800.268.2889, E-Mail: info@lexcor.net).



COMMERCIAL BUILDING PRODUCTS

Ontario & Western Canada
1.800.268.2889



Quebec & Atlantic Canada
1.800.363.2307