

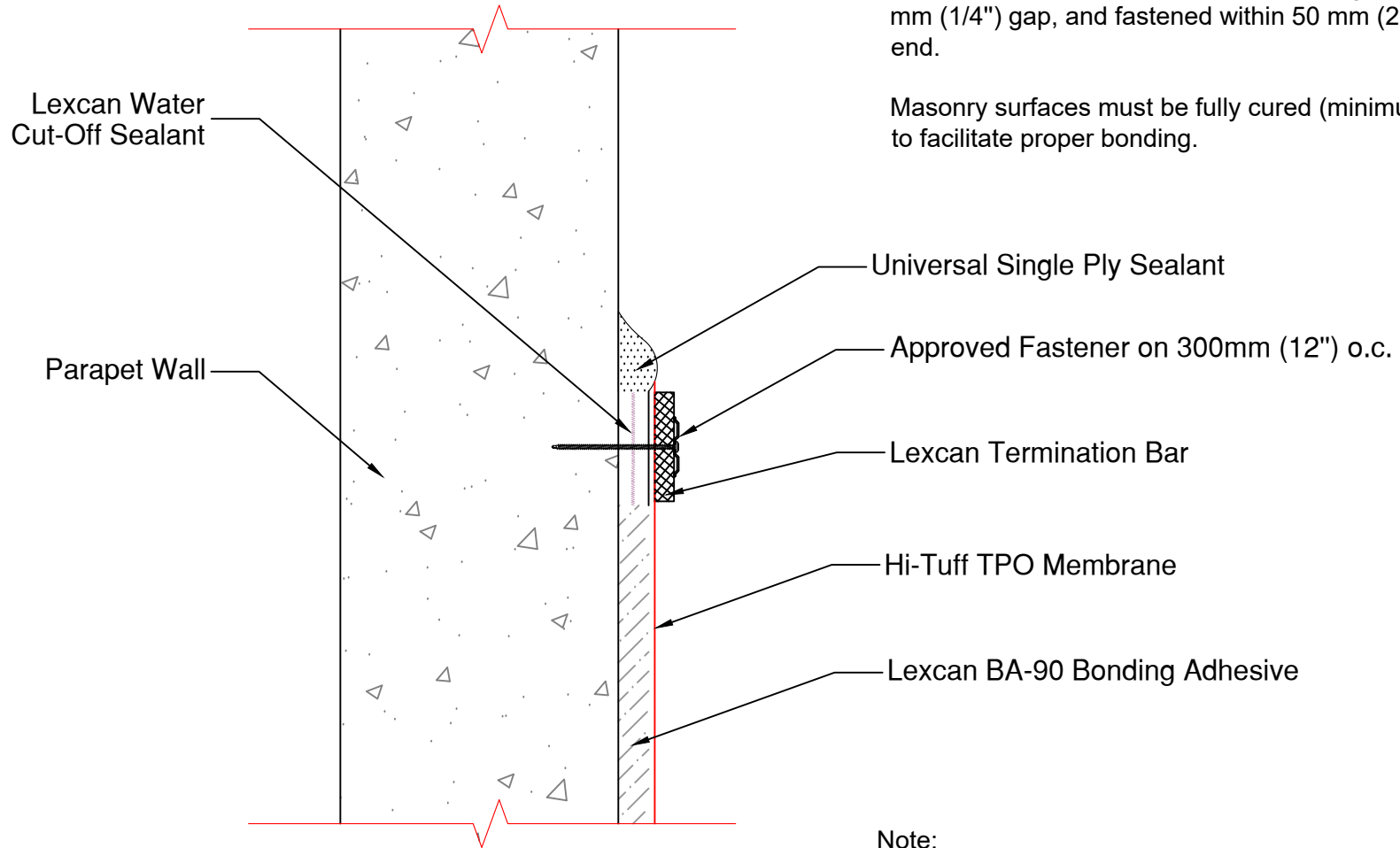


Comments: Flashing a min. 200 mm (8") high whenever possible and must be above roof flood level. Spanning of vertical wall panel joints (i.e. tilt-up walls) with terms.

Flat Batten Bar is not acceptable.

Termination Bar must be broken with no greater than 6 mm (1/4") gap, and fastened within 50 mm (2") of each end.

Masonry surfaces must be fully cured (minimum 28 days) to facilitate proper bonding.



Note:
Detail not for use on warranty projects exceeding 10 years.



Mid-Parapet Termination - 2 (Termination Bar)

ROOFING SYSTEMS DETAIL

Scale:
Date: 09/02/2024
Detail no.: H-S-212