



FLASH-TITE SUPERDRAIN™ ROOF DRAINS

DESCRIPTION & USE

Premium roof drains for use in all low slope roofs applications. Compatible with single ply, built-up or modified bitumen roofing membranes. Available in a "new construction" design or a "retrofit" insert design for reroofing applications. Available in copper and aluminum.

FEATURES & BENEFITS

A Flatter Flange - Fits more "wrinkle-free" into the hopper.

Drainage right down to the Membrane - 4 open channels on clamping ring and 3 open channels on strainer to allow for maximum water drainage

Heavy Duty Construction - Matt finish, cast aluminum clamping ring and strainer provide exceptional resistance to vandalism. Secured with a stainless steel 1/4" bolt, the strainer design resists loss or theft. Copper hoppers are welded (versus soldered) to resist failure from high temperature roofing torches.

Mechanical Membrane Securement - Heavy duty clamping ring mechanically secures the roofing membrane to the drain.

Separate Clamping Ring & Strainer - Can be removed for cleaning without affecting the clamping ring or membrane seal.

Full Insulating Value - Flat, funnel-less designs permits rapid drainage without compromising the full thickness of the surrounding roof insulation.

Choice of Designs - Bodies are available in a choice of heavy gauge 2.1 mm (0.081") seamless spun aluminum hopper or 24 oz - 0.81 mm (0.032") welded copper.



TECHNICAL DATA

Physical Dimensions

Strainer Height:	18.5 cm (7.25")
Downspout Length:	30 cm (12")
Flange Diameter:	43 cm (17")

* Custom pipe lengths are available for copper. Please contact Lexcor with your request

New Construction Drains Sizes: 2", 3", 4", 6"

Retrofits Drains Sizes:

- 1.75" to fit a 2" nominal drain pipe.
- 2.75" to fit a 3" nominal drain pipe.
- 3.75" to fit a 4" nominal drain pipe.
- 5.75" to fit a 6" nominal drain pipe.

Clamping Ring - Average Water Flow = 565 L per hour.

Options

Refer to the appropriate data sheet for more information:

- Drain Seal (Maxxflo recommended)
- Integrated Deck Clamp
- Under Deck Clamp
- Flow Control Insert
- Ballast Guard
- Pre-fabricated Target Patch
- Painted Strainer (White Polyester Powder Coating; Paint Thickness = 3 mm)
- Securement Ring.

Visit our video channel: <https://vimeo.com/channels/lexcorEN>

COMMERCIAL BUILDING PRODUCTS

Ontario & Western Canada
1.800.268.2889



Quebec & Atlantic Canada
1.800.363.2307

lexcor.net

FLASH-TITE SUPERDRAIN™ ROOF DRAINS



APPLICATION

Install the roof insulation and roof membrane, cutting an appropriate sized hole through both materials over the drain pipe. If using a pipe seal, connect it to the SuperDrain downspout. Insert the drain downspout into the drainage pipe, ensuring a proper drain-to-pipe seal.

Adhere the drain hopper flange to the top of the underlying roof membrane using a membrane compatible adhesive. If desired, the drain may also be mechanically fastened to the structural deck with insulation screws (recommended). Fasten 4 screws 25 mm (1") in from the edge of the flange. Alternatively, use the Flash-Tite™ Deck Clamp.

Adhere appropriate membrane flashing ovetop of the drain flange, bringing it up to the edge of the downspout. Apply a membrane compatible sealant along the edge of the membrane flashing.

Install any drain accessories as required. Install clamping ring by fastening down 4 to 8 nuts (do not over tight). Tighten the strainer down to the clamping ring with the strainer retaining bolt. Complete membrane flashing detail.

SPECIFICATION

Spec Note: Choose desired choice from alternative option in square brackets.

[New Construction; Retrofit] Drain hopper shall consist a [24 oz - 0.81 mm (0.032") thick spun copper hopper welded to a DWV copper downspout; 2.1 mm (0.081") seamless spun aluminum].

Flange shall be fixed with 4 or 8 clamping ring studs to receive clamping ring and strainer. Strainer and clamping ring shall be fabricated from sand blasted, matt finish, heavy duty cast aluminum. Strainer [polyester based powder coat finish] shall be a 184 mm (7.25") high, secured to the drain clamping ring with a 6 mm (1/4") single stainless steel bolt.

Clamping ring shall have 4 open channels to allow for maximum water drainage.

Drains shall be supplied with [Stainless Steel Ballast Guard; Flow Control Insert].

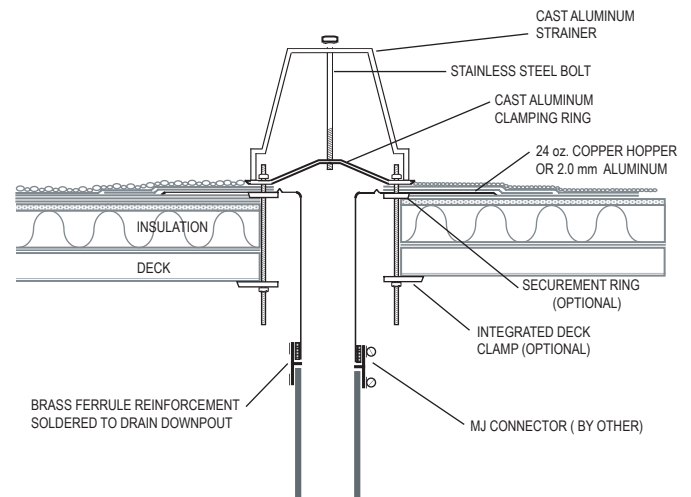
Drains shall be inserted into the drain pipes as shown on the shop drawings and secured to the deck with the [Integral Deck Clamp (IDC); Under Deck Clamp (UDC)] secured tightly to the underside of the deck. Seal the drain to the drainpipe with the appropriate size [Maxxflo Retrofit Roof Drain Seal; Flash-Tite™ Drain Seals; mechanical joint connector].

Flash the drains into the roofing system in accordance with [NRCA guidelines; CRCA guidelines; the requirements of the roof membrane manufacturer]. Install clamping ring over membrane and secure tightly to the flange with stainless steel nuts and washers.

ACCEPTED PRODUCT: Lexcor Flash-Tite™ SuperDrain by Lexsuco Corporation (www.lexsucocorporation.com, Tel: 800.268.2889, E-Mail: info@lexsucocorp.com).

New Construction SuperDrains

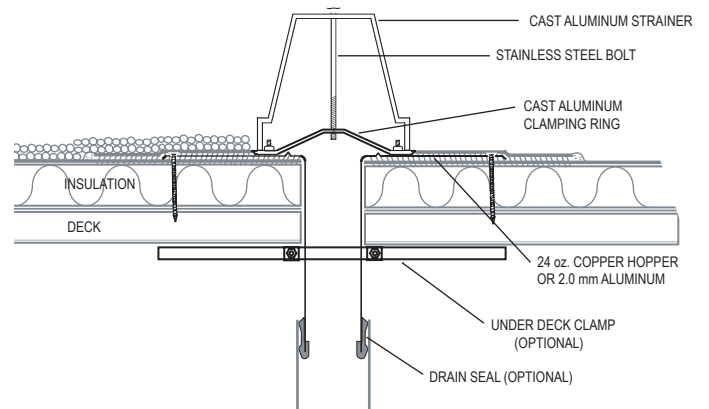
Built-Up Roof Flashing



Modified Bitumen Flashing

Retrofit SuperDrains

Built-Up Roof Flashing



Adhered Membrane Flashing

WARRANTY

This product is warranted against manufacturing defects for a period of 10 years.