



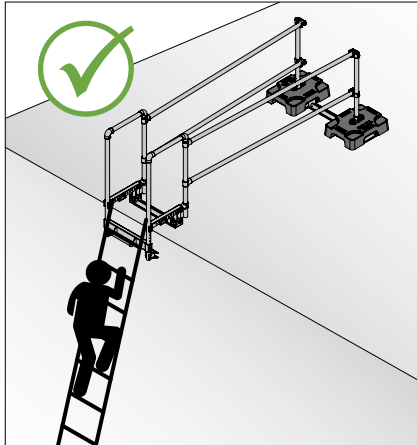
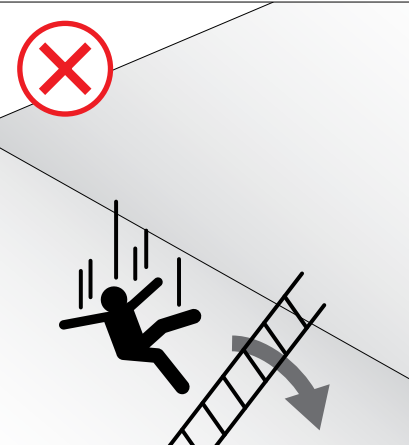
PATENT PENDING

LADDER STABILIZER SYSTEM

Delta Prevention's ladder stabilizer system is designed to create safe access to roofs accessible by an extension ladder. The versatile and patented system can be installed without anchoring in a few minutes on flat roofs with or without a parapet.

FEATURES

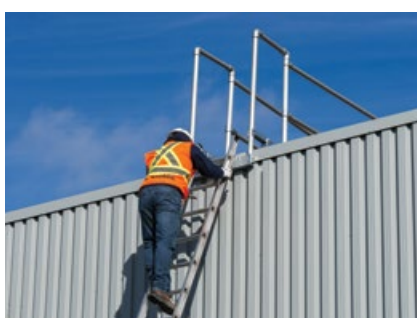
- 100% non-penetrating
- For roofs with or without parapet
- Lightweight, rust resistant aluminum pipes
- Steel stabilizer with anti-corrosion powder coating
- Quick and easy installation
- Patent Pending
- Permanent or temporary installation
- Made in Canada



Hooks compatible with ladders with round or "D" rungs up to 2" in diameter. This design allows the ladder to be hung from any angle and prevents accumulations of snow or ice.

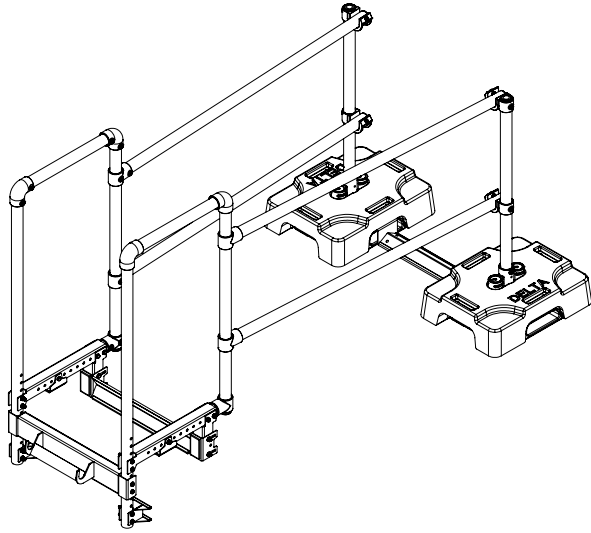


The parapet clamp provides unparalleled stability and adjustment for installations on roof with parapet.

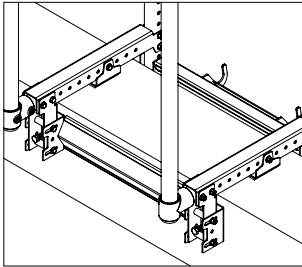


The extensions provide a solid grip and the guardrails lead the worker towards the center of the roof.

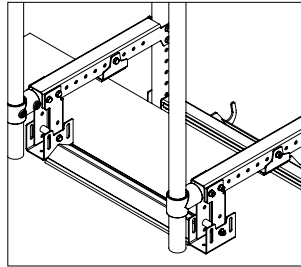
CONFIGURATION TYPES



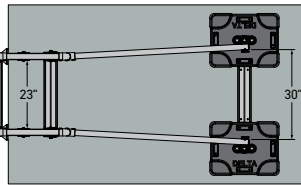
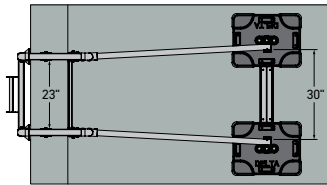
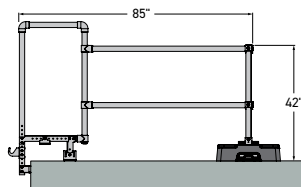
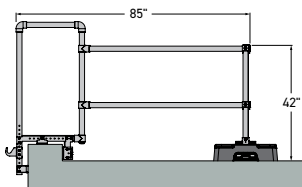
ITEM # LADPT101
Ladder Stabilizer System



The adjustable clamp and adjustment screw allow precise installation on the parapet.



The clamp turns into a support point on roofs without a parapet wall.

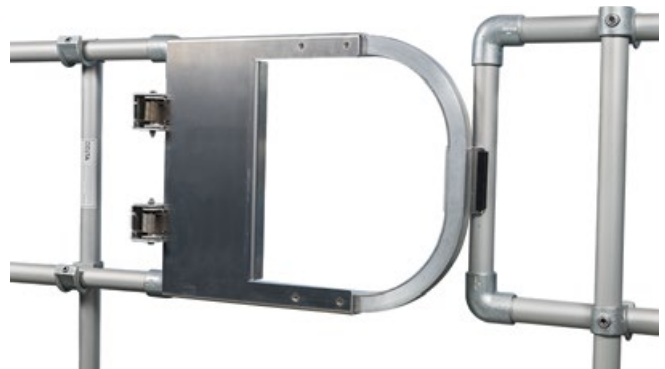


TECHNICAL SHEET

Overall length:	145" (can be trimmed to a minimum of 85")
Height:	42"
Inside width - entrance:	23"
Inside width - exit:	28"
Parapet - maximum width:	12"
Parapet - maximum height:	24" *
Parapet - minimum height:	6"
Material - parapet clamp:	Powder coated steel with e-coat
Material - guardrail:	Anodized aluminum
Counterweights:	CPA20002: 100 lb BAA13-01 only: 50 lb EAA05-01 only: 50 lb
Counterweights - dimensions:	CPA20002: 24" x 18" x 6" BAA13-01 only: 24" x 18" x 6" EAA05-01 only: 17.25" x 17.25" x 8.35"
Counterweights - material:	BAA13-01: recycled rubber EAA05-01: hot dipped galvanized cast iron with glued 0.120" (3 mm) EPDM membrane
Total weight:	337.5 lb
Ladder - compatibility:	Aluminum, fiberglass
Ladder - compatible rungs:	Round, "D" shaped
Ladder - maximum rung diameter:	2"
Ladder - minimum inside width:	12"
Ladder - maximum side rail width:	4"

* For a parapet higher than 24", contact our customer service.

ACCESSORIES



Self-closing safety gate

ITEM: GAT24A02
Material: Aluminum