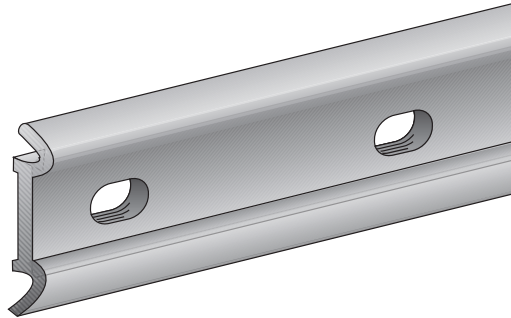


TECHNICAL

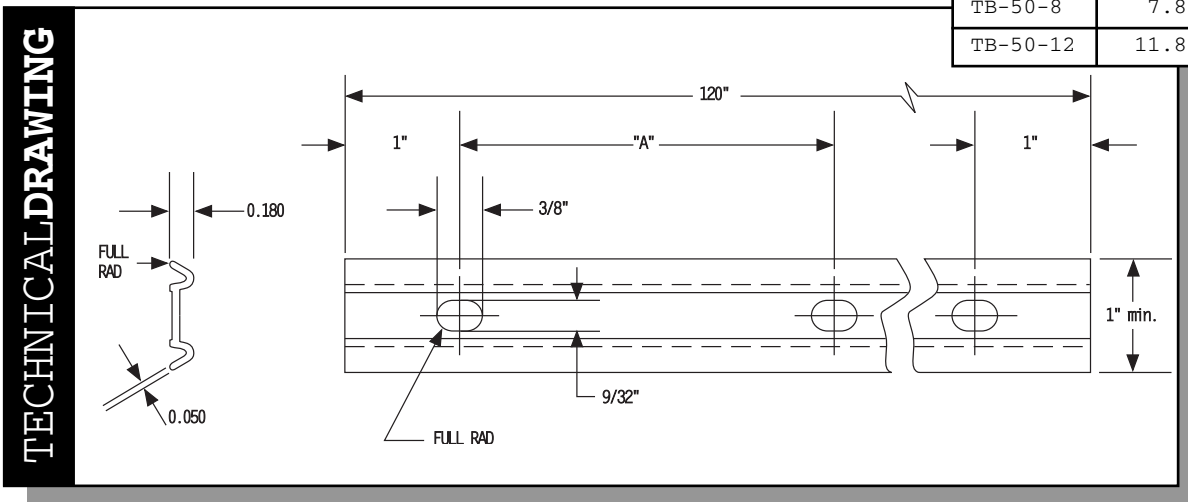
DATA

TB-50 Termination Bar

- **Feature:** Comes with sealant ledge.
- **Material:** Made from specially extruded aluminum without sharp edges.
- **Slotted Holes:** Comes with holes either 6", 8" or 12" on center.



Part No.	"A"
TB-50-6	5.9
TB-50-8	7.8
TB-50-12	11.8



Part No.	Thickness*	Width*	Length*	Hole Size	Holes On Center	Pieces/Tube	Weight/Tube
TB-50-6	.050"	1"	10'	1/4 x 3/8"	6"	50	45#
TB-50-8	.050"	1"	10'	1/4 x 3/8"	8"	50	45#
TB-50-12	.050"	1"	10'	1/4 x 3/8"	12"	50	45#

*Manufactured to mill tolerances.



TRUFAST, LLC

02105 Williams Cty. Rd. 12-C
Bryan, Ohio 43506-9804

1-800-443-9602 • 419-636-6715 • Fax: 419-636-1784

WebSite: www.trufast.com • E-mail: sales@trufast.com