



LIFELINE SAFETY SYSTEMS

SYSTÈME DE LIGNE DE VIE



ROOF ANCHORS

ADHESIVE

SA-101
 SA-101-SS
 SA-101-SW
 SA-101-SW-SS

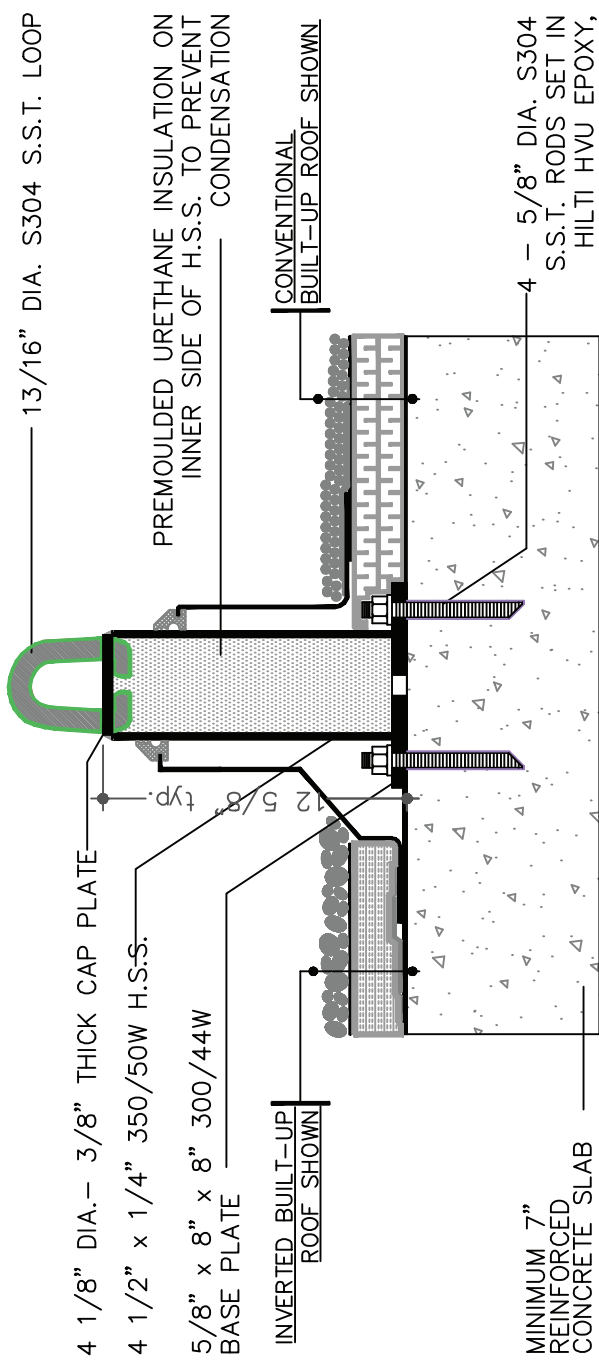
THROUGH-BOLTED

O.W.S.J.

I-BEAM

CAST-IN-PLACE

RECESSED TERRACE



ALL COMPONENTS HOT DIPPED GALVANIZED
 UNLESS OTHERWISE NOTED

c/w S304 S.S.T. NUTS & LOCKWASHERS
 w/ THREADS DEFORMED AS PER
 MINISTRY OF LABOUR GUIDELINES

G R A S P
 by **LEXCOR**

52 Bramwin Court • Brampton, ON • L6T 5G2
 T 905.792.8800 • F 905.792.8801 • TF 1.800.268.2889
 www.lexcor.net • info@lexcor.net

ROOF ANCHORS

ADHESIVE

SA-101

SA-101-SS

SA-101-SW

SA-101-SW-SS

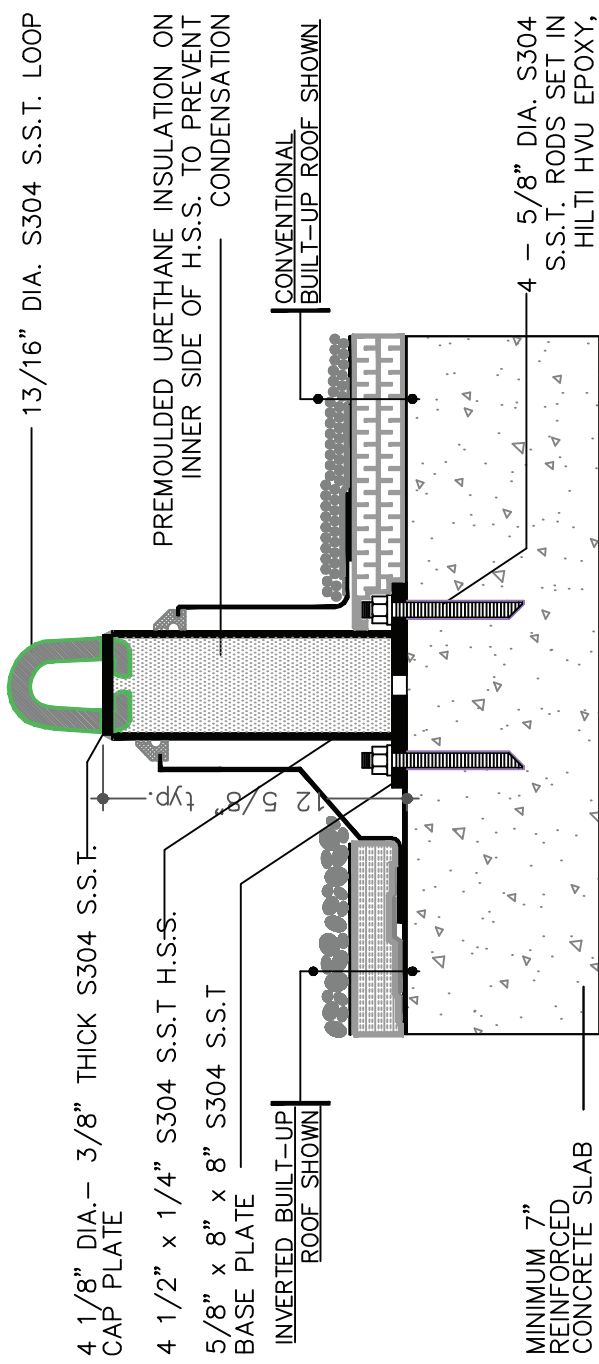
THROUGH-BOLTED

O.W.S.J.

I-BEAM

CAST-IN-PLACE

RECESSED TERRACE



ALL COMPONENTS STAINLESS STEEL UNLESS OTHERWISE NOTED

G R A S P

by **LEXCOR**

52 Bramwin Court • Brampton, ON • L6T 5G2
 T 905.792.8800 • F 905.792.8801 • TF 1.800.268.2889
 www.lexcor.net • info@lexcor.net

ROOF ANCHORS

ADHESIVE

- SA-101
- SA-101-SS
- SA-101-SW
- SA-101-SW-SS

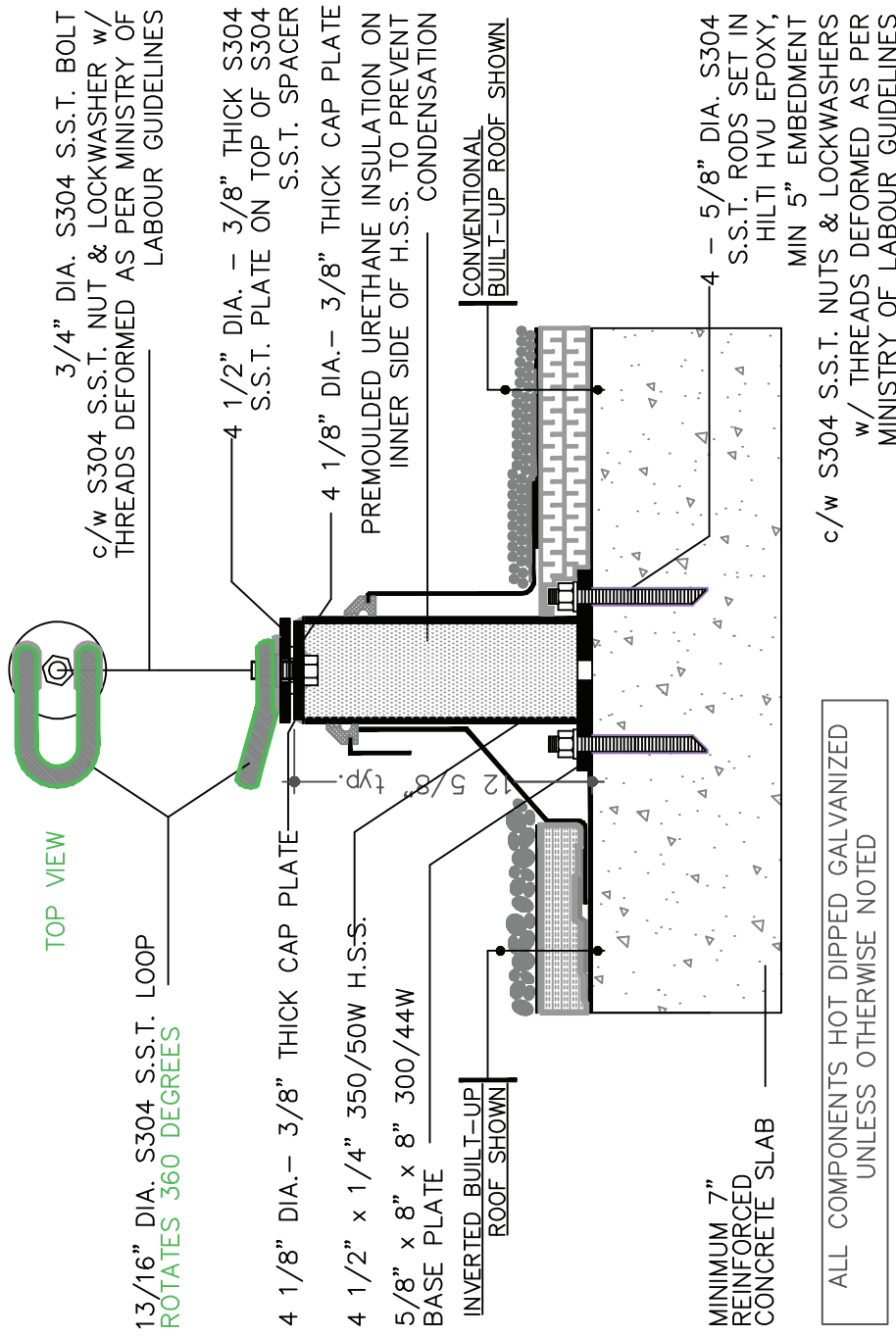
THROUGH-BOLTED

O.W.S.J.

I-BEAM

CAST-IN-PLACE

RECESSED TERRACE



G R A S P
by **LEXCOR**

52 Bramwin Court • Brampton, ON • L6T 5G2
T 905.792.8800 • F 905.792.8801 • TF 1.800.268.2689
www.lexcor.net • info@lexcor.net

ROOF ANCHORS

ADHESIVE

- SA-101
- SA-101-SS
- SA-101-SW
- SA-101-SW-SS

THROUGH-BOLTED

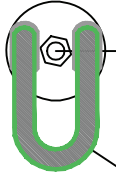
O.W.S.J.

I-BEAM

CAST-IN-PLACE

RECESSED TERRACE

TOP VIEW



13/16" DIA. S304 S.S.T. LOOP
ROTATES 360 DEGREES

3/4" DIA. S304 S.S.T. BOLT
c/w S304 S.S.T. NUT & LOCKWASHER w/
THREADS DEFORMED AS PER MINISTRY OF
LABOUR GUIDELINES

4 1/2" DIA. - 3/8" THICK S304
S.S.T. PLATE ON TOP OF S304
S.S.T. SPACER

4 1/8" DIA. - 3/8" THICK S304 S.S.T.
CAP PLATE

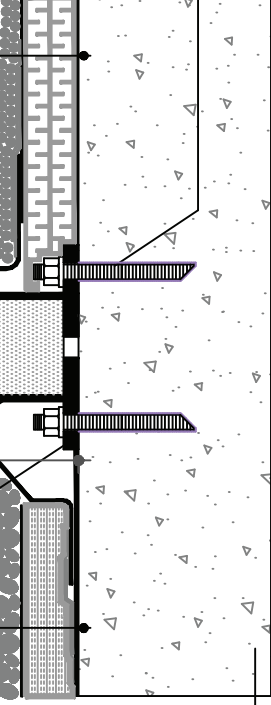
4 1/2" x 1/4" S304 S.S.T. H.S.S.

5/8" x 8" x 8" S304 S.S.T.
BASE PLATE

PREMOULDED URETHANE INSULATION ON
INNER SIDE OF H.S.S. TO PREVENT
CONDENSATION

CONVENTIONAL
BUILT-UP ROOF SHOWN

INVERTED BUILT-UP
ROOF SHOWN



MINIMUM 7"
REINFORCED
CONCRETE SLAB

4 - 5/8" DIA. S304
S.S.T. RODS SET IN
HILTI HVU EPOXY,
MIN 5" EMBEDMENT

c/w S304 S.S.T. NUTS & LOCKWASHERS
w/ THREADS DEFORMED AS PER
MINISTRY OF LABOUR GUIDELINES

ALL COMPONENTS STAINLESS STEEL UNLESS
OTHERWISE NOTED

G R A S P



52 Bramwin Court • Brampton, ON • L6T 5G2
T 905.792.9800 • F 905.792.9801 • TF 1.800.268.2689
www.lexcor.net • info@lexcor.net

ROOF ANCHORS

ADHESIVE

THROUGH-BOLTED

SA-201

SA-201-SS

SA-201-SW

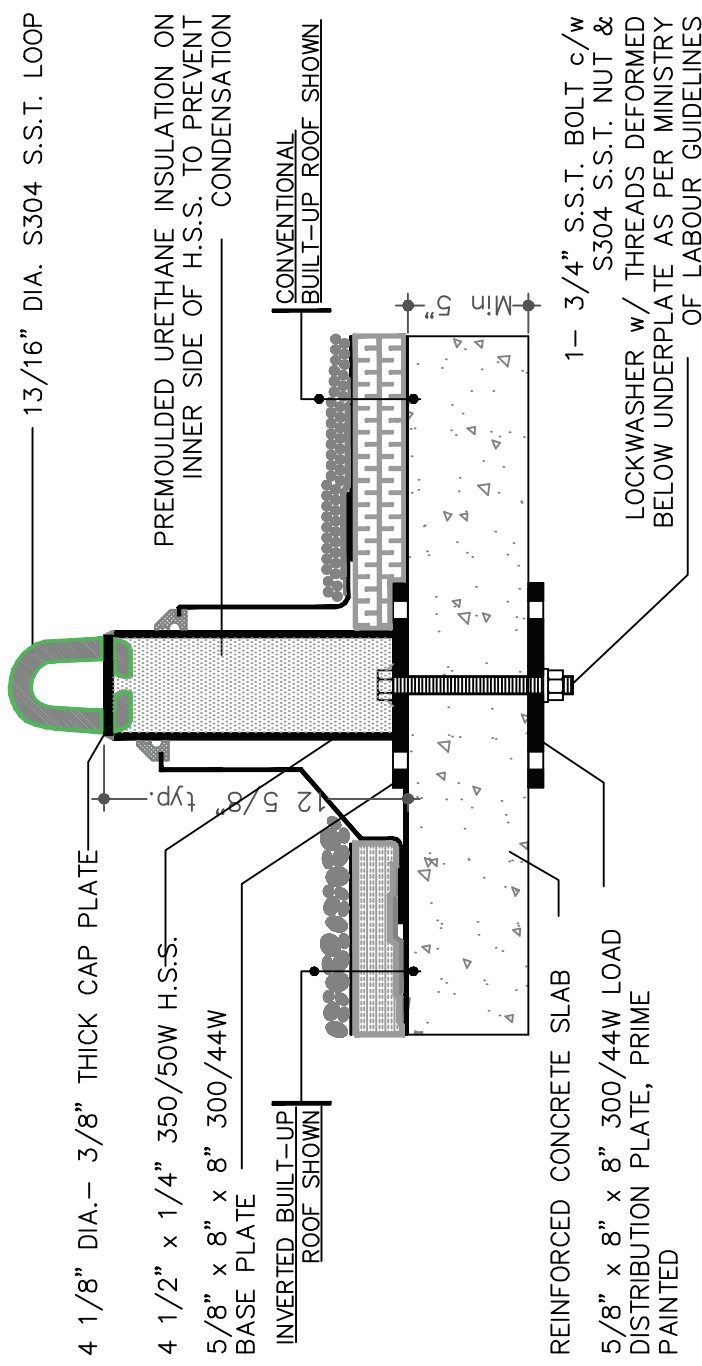
SA-201-SW-SS

O.W.S.J.

I-BEAM

CAST-IN-PLACE

RECESSED TERRACE



ALL COMPONENTS HOT DIPPED GALVANIZED UNLESS OTHERWISE NOTED

G R A S P

by **LEXCOR**

52 Bramwin Court • Brampton, ON • L6T 5G2
 T 905.792.8800 • F 905.792.8801 • TF 1.800.268.2889
 www.lexcor.net • info@lexcor.net

ROOF ANCHORS

ADHESIVE

THROUGH-BOLTED

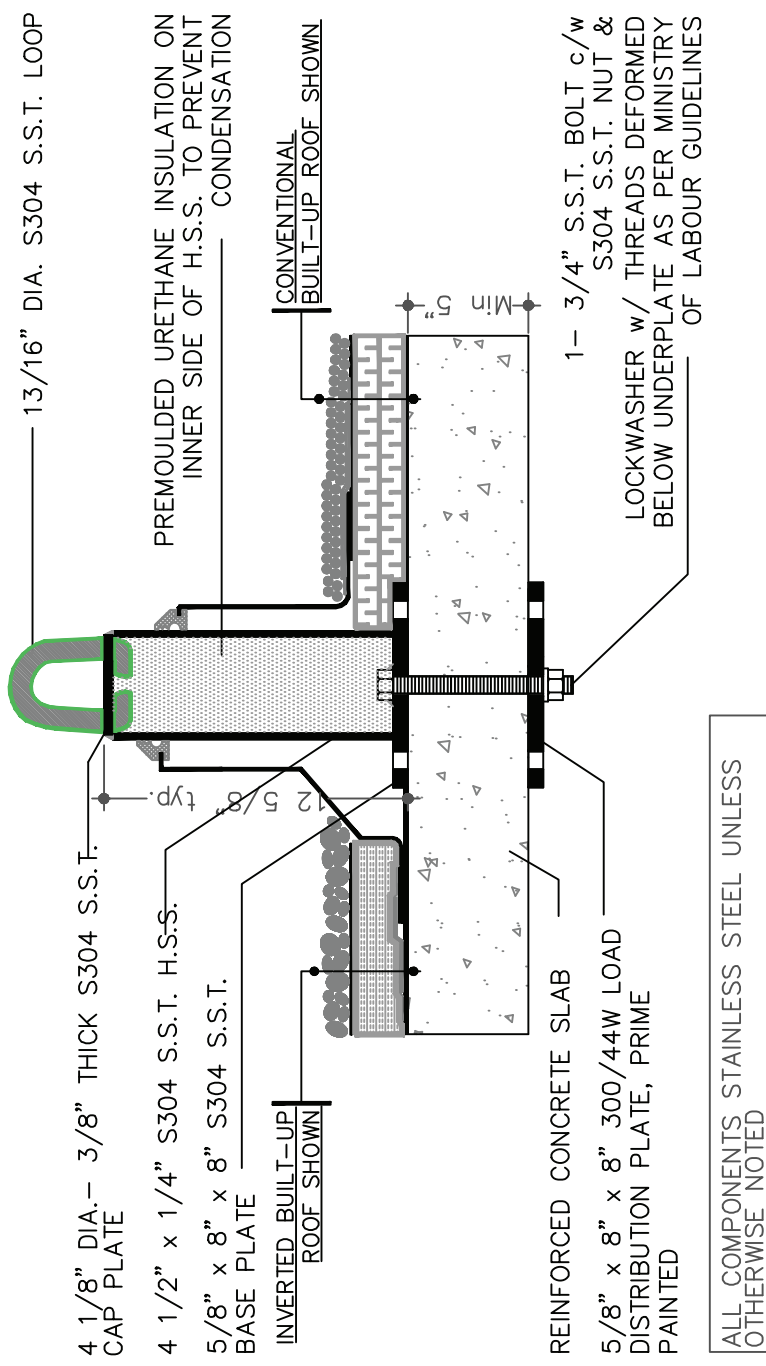
SA-201
 SA-201-SS
 SA-201-SW
 SA-201-SW-SS

O.W.S.J.

I-BEAM

CAST-IN-PLACE

RECESSED TERRACE



G R A S P



52 Bramwin Court • Brampton, ON • L6T 5G2
 T 905.792.8600 • F 905.792.8601 • TF 1.800.268.2669
 www.lexcor.net • info@lexcor.net

ROOF ANCHORS

ADHESIVE

THROUGH-BOLTED

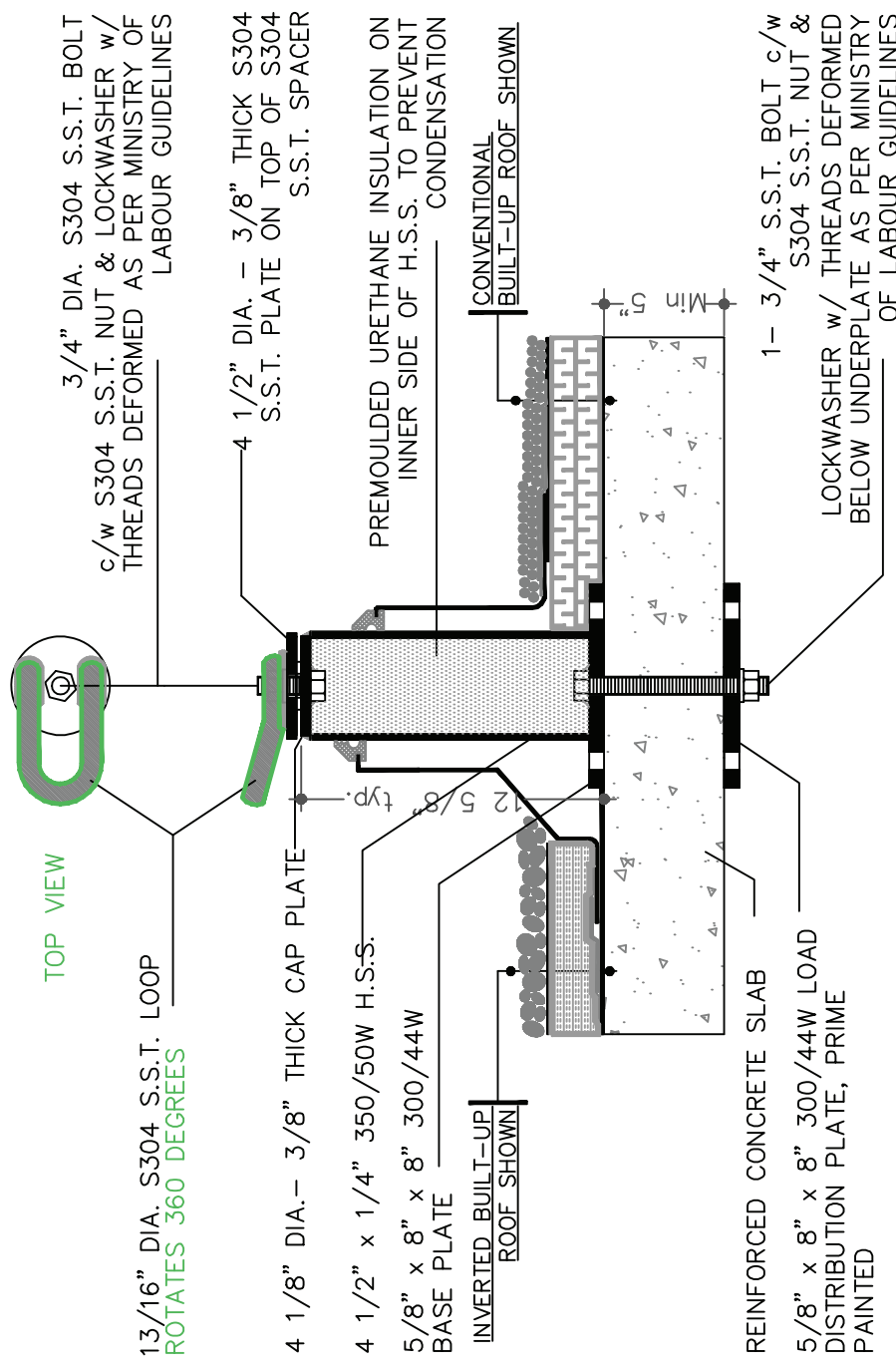
- SA-201
- SA-201-SS
- SA-201-SW
- SA-201-SW-SS

O.W.S.J.

I-BEAM

CAST-IN-PLACE

RECESSED TERRACE



TOP VIEW

13/16" DIA. S304 S.S.T. LOOP
ROTATES 360 DEGREES

3/4" DIA. S304 S.S.T. BOLT
c/w S304 S.S.T. NUT & LOCKWASHER w/
THREADS DEFORMED AS PER MINISTRY OF
LABOUR GUIDELINES

4 1/8" DIA. - 3/8" THICK CAP PLATE

4 1/2" DIA. - 3/8" THICK S304
S.S.T. PLATE ON TOP OF S304
S.S.T. SPACER

4 1/2" x 1/4" 350/50W H.S.S.
5/8" x 8" x 8" 300/44W
BASE PLATE

PREMOULDED URETHANE INSULATION ON
INNER SIDE OF H.S.S. TO PREVENT
CONDENSATION

INVERTED BUILT-UP
ROOF SHOWN

CONVENTIONAL
BUILT-UP ROOF SHOWN

REINFORCED CONCRETE SLAB
5/8" x 8" x 8" 300/44W LOAD
DISTRIBUTION PLATE, PRIME
PAINTED

1- 3/4" S.S.T. BOLT c/w
S304 S.S.T. NUT &
LOCKWASHER w/ THREADS DEFORMED
BELOW UNDERPLATE AS PER MINISTRY
OF LABOUR GUIDELINES

ALL COMPONENTS HOT DIPPED GALVANIZED
UNLESS OTHERWISE NOTED

G R A S P
by **LEXCOR**

52 Bramwin Court • Brampton, ON • L6T 5G2
T 905.792.8600 • F 905.792.8601 • TF 1.800.288.2868
www.lexcor.net • info@lexcor.net

ROOF ANCHORS

ADHESIVE

THROUGH-BOLTED

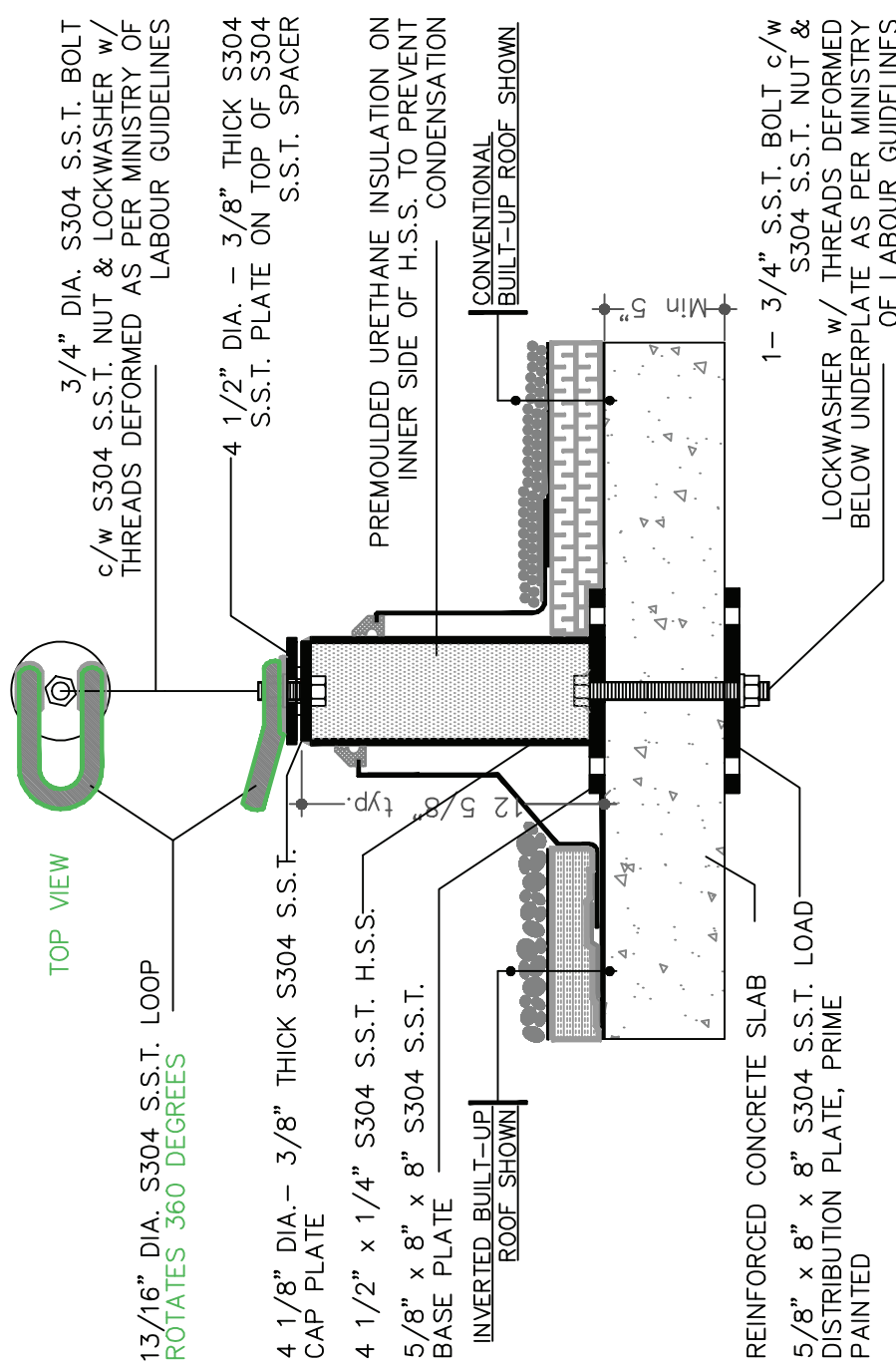
- SA-201
- SA-201-SS
- SA-201-SW
- SA-201-SW-SS

O.W.S.J.

I-BEAM

CAST-IN-PLACE

RECESSED TERRACE



ALL COMPONENTS STAINLESS STEEL UNLESS OTHERWISE NOTED

G R A S P
 by **LEXCOR**
 52 Bramwin Court • Brampton, ON • L6T 5G2
 T 905.792.8600 • F 905.792.8601 • TF 1.800.268.2680
 www.lexcor.net • info@lexcor.net

ROOF ANCHORS

ADHESIVE

THROUGH-BOLTED
PRECAST

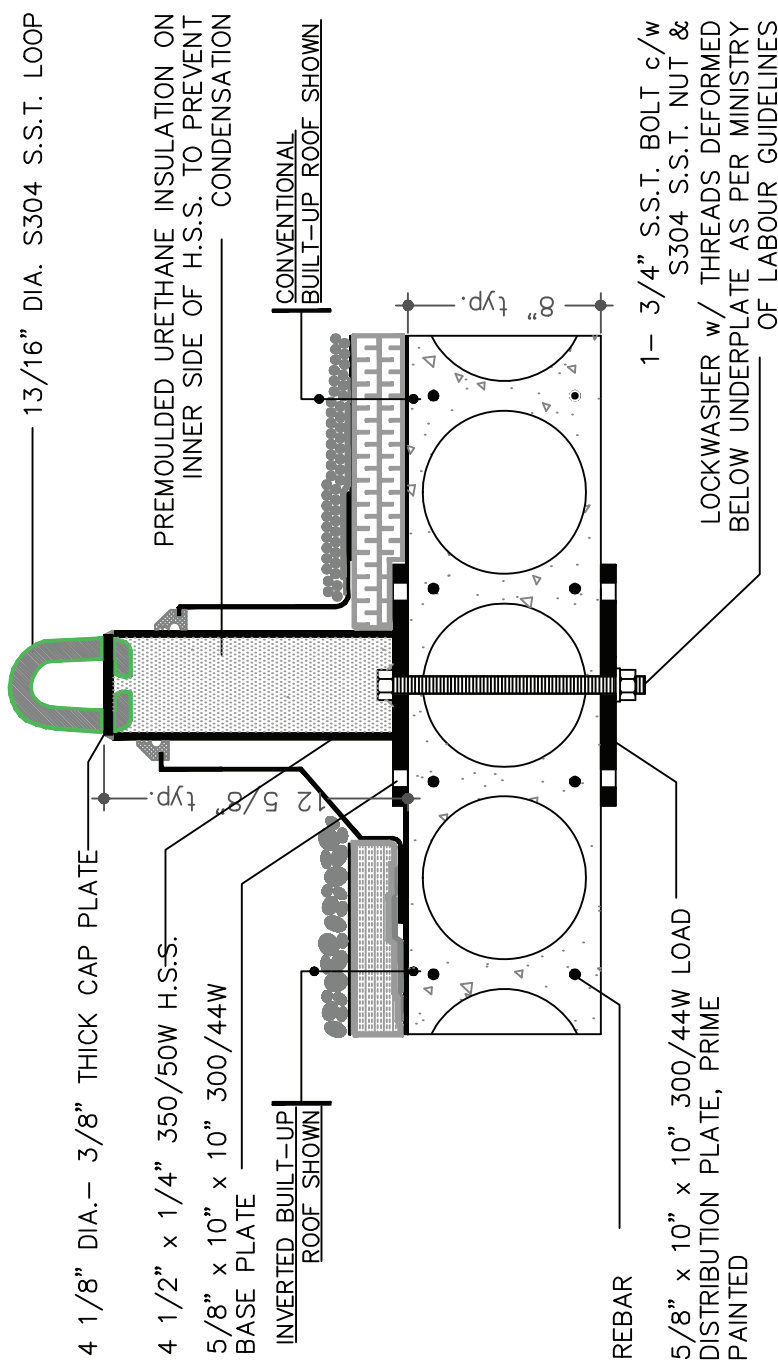
- SA-202
- SA-202-SS
- SA-202-SW
- SA-202-SW-SS

O.W.S.J.

I-BEAM

CAST-IN-PLACE

RECESSED TERRACE



ALL COMPONENTS HOT DIPPED GALVANIZED
UNLESS OTHERWISE NOTED

G R A S P

by **LEXCOR**

52 Bramwin Court • Brampton, ON • L6T 5G2
T 905.792.8600 • F 905.792.8601 • TF 1.800.288.2868
www.lexcor.net • info@lexcor.net

ROOF ANCHORS

ADHESIVE

THROUGH-BOLTED
PRECAST

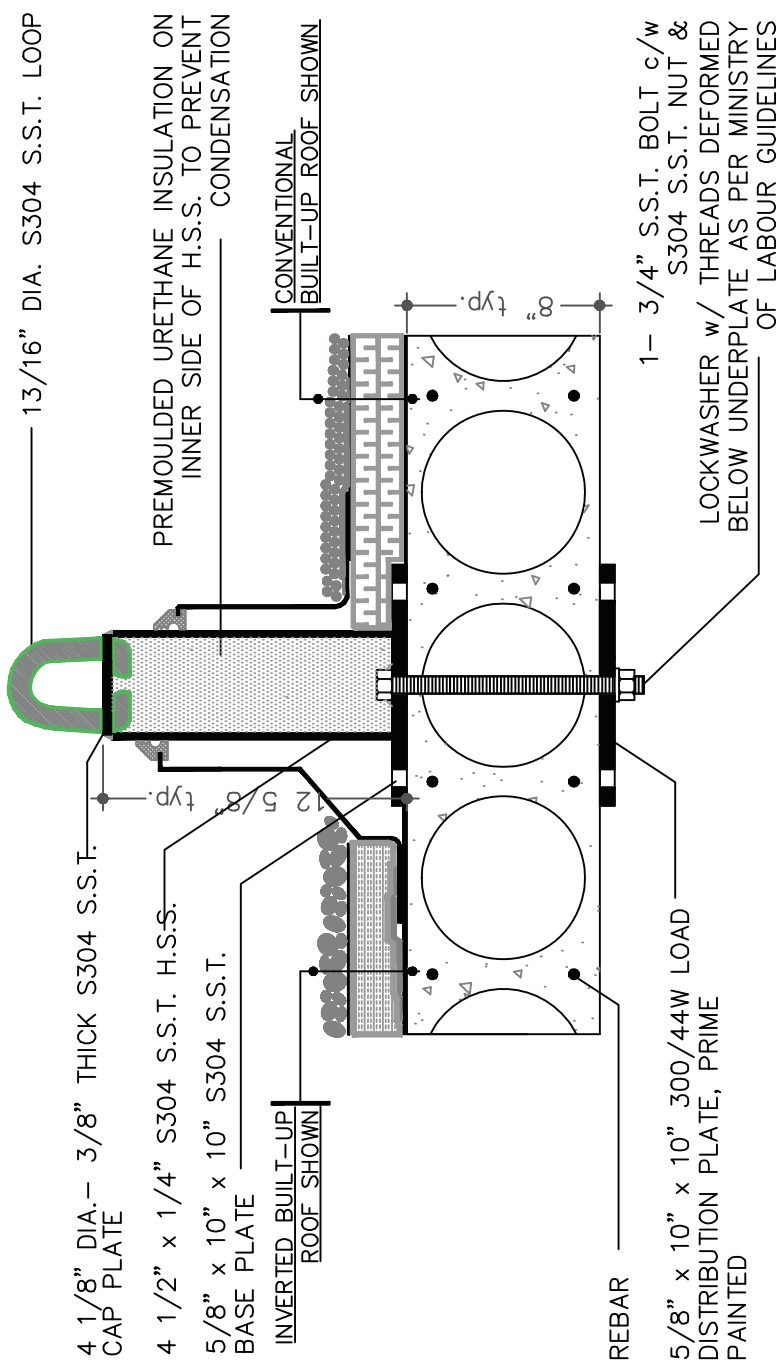
SA-202
SA-202-SS
SA-202-SW
SA-202-SW-SS

O.W.S.J.

I-BEAM

CAST-IN-PLACE

RECESSED TERRACE



ALL COMPONENTS STAINLESS STEEL UNLESS OTHERWISE NOTED

G R A S P

by **LEXCOR**

52 Bramwin Court • Brampton, ON • L6T 5G2
T 905.792.8600 • F 905.792.8601 • TF 1.800.288.2868
www.lexcor.net • info@lexcor.net

ROOF ANCHORS

ADHESIVE

THROUGH-BOLTED
PRECAST

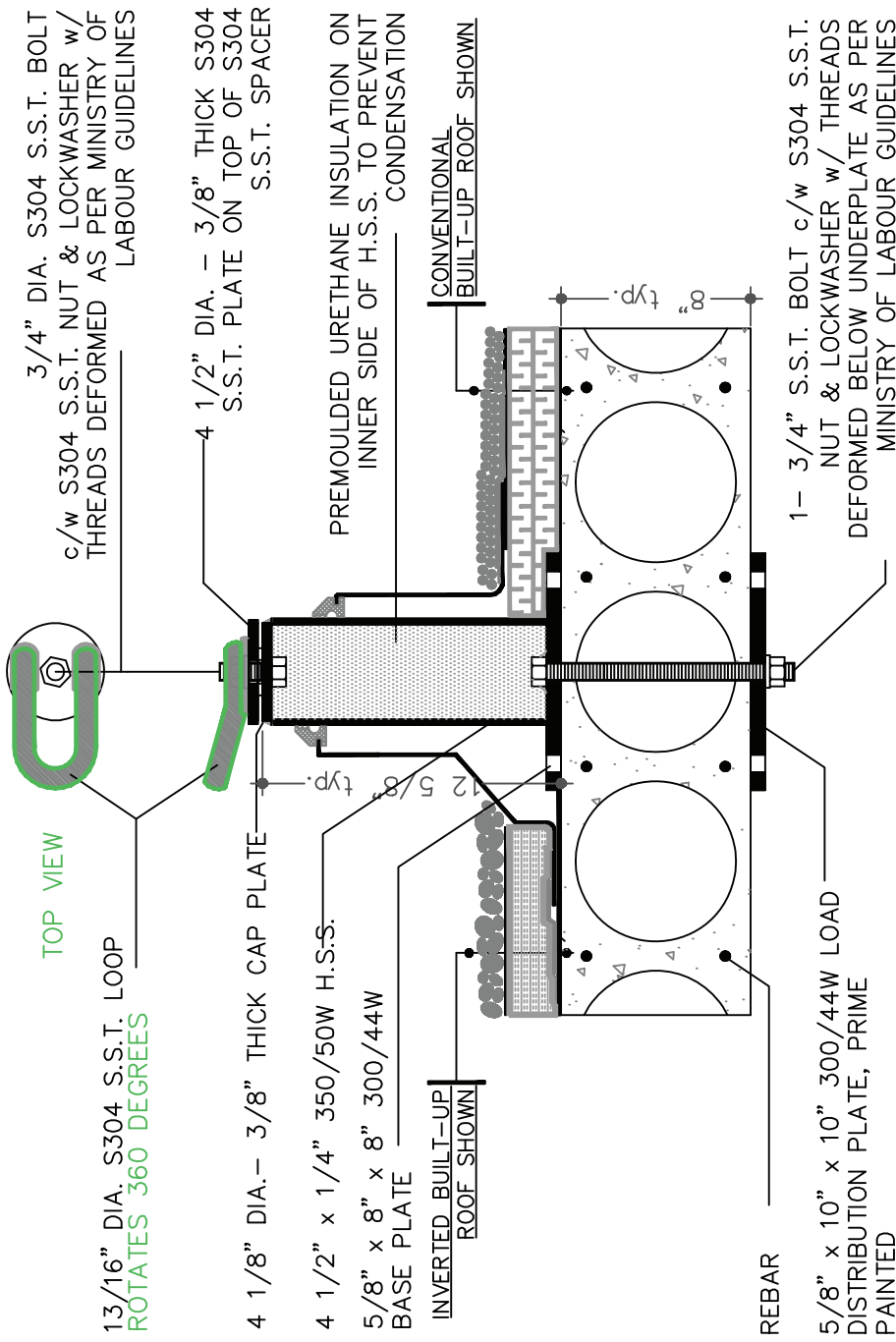
- SA-202
- SA-202-SS
- SA-202-SW
- SA-202-SW-SS

O.W.S.J.

I-BEAM

CAST-IN-PLACE

RECESSED TERRACE



ALL COMPONENTS HOT DIPPED GALVANIZED
UNLESS OTHERWISE NOTED

G R A S P



52 Bramwin Court • Brampton, ON • L1T 5G2
T 905.792.8800 • F 905.792.8801 • TF 1.800.288.2889
www.lexcor.net • info@lexcor.net

ROOF ANCHORS

ADHESIVE

THROUGH-BOLTED
PRECAST

SA-202
SA-202-SS
SA-202-SW
SA-202-SW-SS

O.W.S.J.

I-BEAM

CAST-IN-PLACE

RECESSED TERRACE

TOP VIEW



13/16" DIA. S304 S.S.T. LOOP
ROTATES 360 DEGREES

3/4" DIA. S304 S.S.T. BOLT
c/w S304 S.S.T. NUT & LOCKWASHER w/
THREADS DEFORMED AS PER MINISTRY OF
LABOUR GUIDELINES

Ø 3/16" TYP. EA. LEG

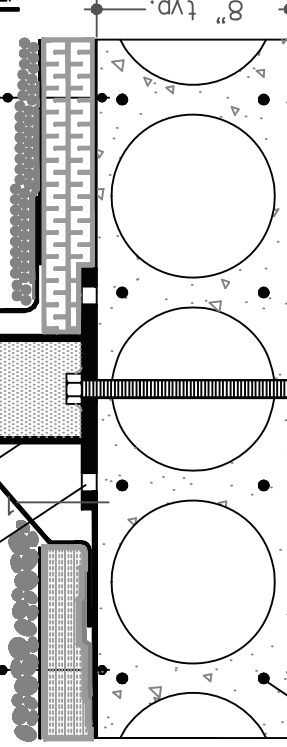
4 1/2" DIA. - 3/8" THICK S304 S.S.T.
CAP PLATE

4 1/2" x 1/4" S304 S.S.T. H.S.S.
5/8" x 10" x 10" S304 S.S.T.
BASE PLATE

PREMOULDED URETHANE INSULATION ON
INNER SIDE OF H.S.S. TO PREVENT
CONDENSATION

INVERTED BUILT-UP
ROOF SHOWN

CONVENTIONAL
BUILT-UP ROOF SHOWN



REBAR

5/8" x 10" x 10" 300/44W LOAD
DISTRIBUTION PLATE, PRIME
PAINTED

1- 3/4" S.S.T. BOLT c/w
S304 S.S.T. NUT &
LOCKWASHER w/
THREADS DEFORMED
BELOW UNDERPLATE AS PER MINISTRY
OF LABOUR GUIDELINES

ALL COMPONENTS STAINLESS STEEL UNLESS
OTHERWISE NOTED

G R A S P



52 Bramwin Court • Brampton, ON • L6T 5G2
T 905.792.8600 • F 905.792.8601 • TF 1.800.288.2868
www.lexcor.net • info@lexcor.net

ROOF ANCHORS

ADHESIVE

THROUGH-BOLTED

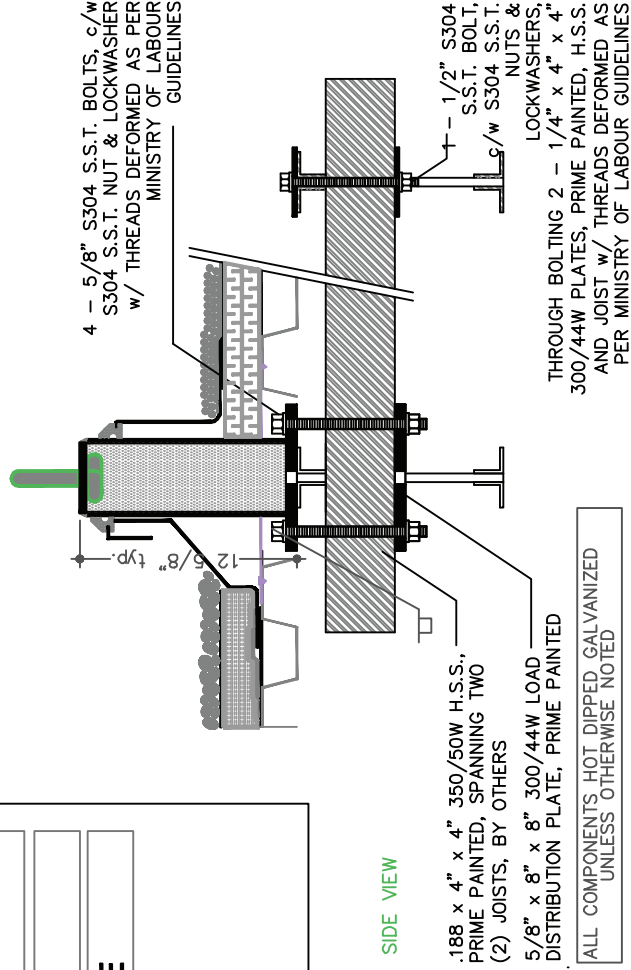
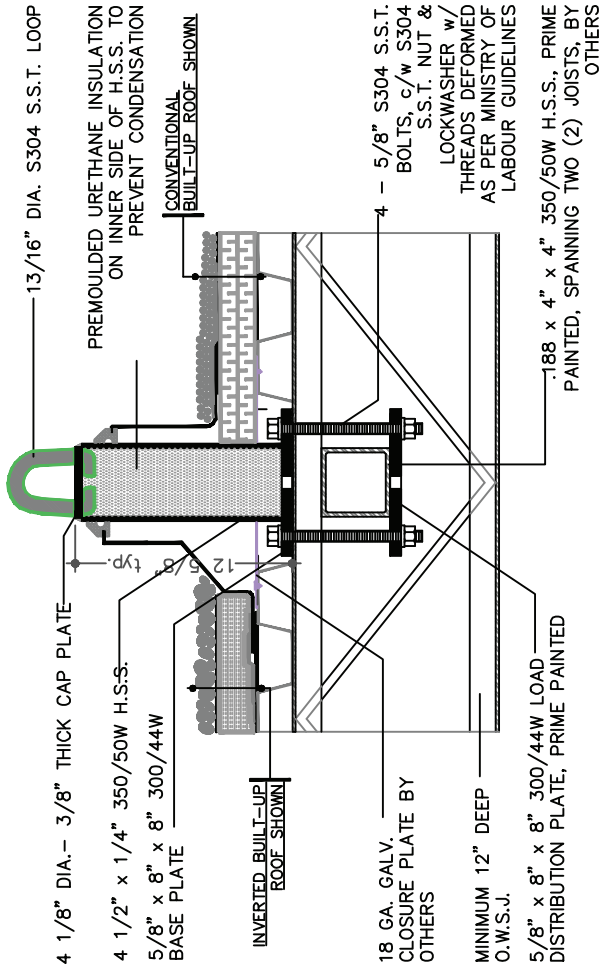
O.W.S.J.
NO CONCRETE ON DECK

SA-301
SA-301-SS
SA-301-SW
SA-301-SW-SS

I-BEAM

CAST-IN-PLACE

RECESSED TERRACE



GRASP
by **LEXCOR**

52 Brewster Court • Brumpton, ON • L6T 5Z2
T 905.792.8800 • F 905.792.8901 • IF: 1.800.363.8899
www.lexcor.ca • info@lexcor.ca

ALL COMPONENTS HOT DIPPED GALVANIZED UNLESS OTHERWISE NOTED

ROOF ANCHORS

ADHESIVE

THROUGH-BOLTED

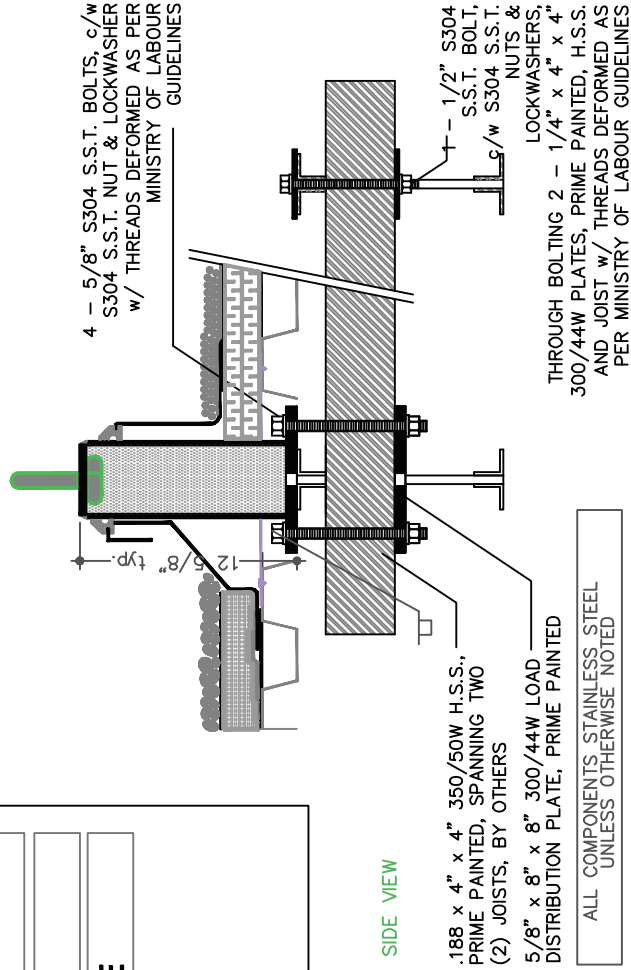
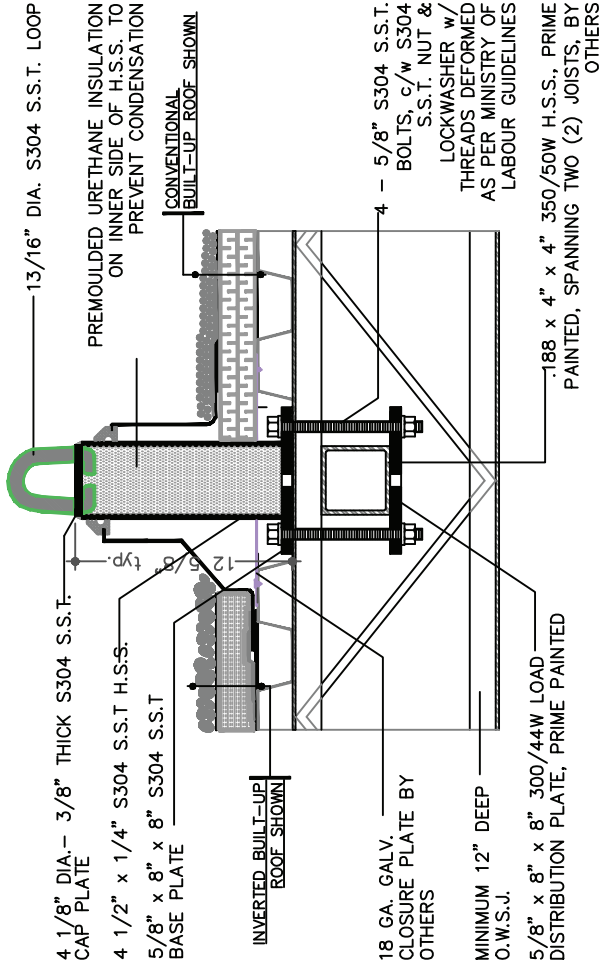
O.W.S.J.
NO CONCRETE ON DECK

SA-301
SA-301-SS
SA-301-SW
SA-301-SW-SS

I-BEAM

CAST-IN-PLACE

RECESSED TERRACE



SIDE VIEW

G R A S P

by **LEXCOR**

22 Brownsline Court • Brownsline, OH • 45722
 T 606.792.8800 • F 606.792.8801 • TF 1.800.288.2889
 www.lexcor.net • info@lexcor.net

ROOF ANCHORS

ADHESIVE

THROUGH-BOLTED

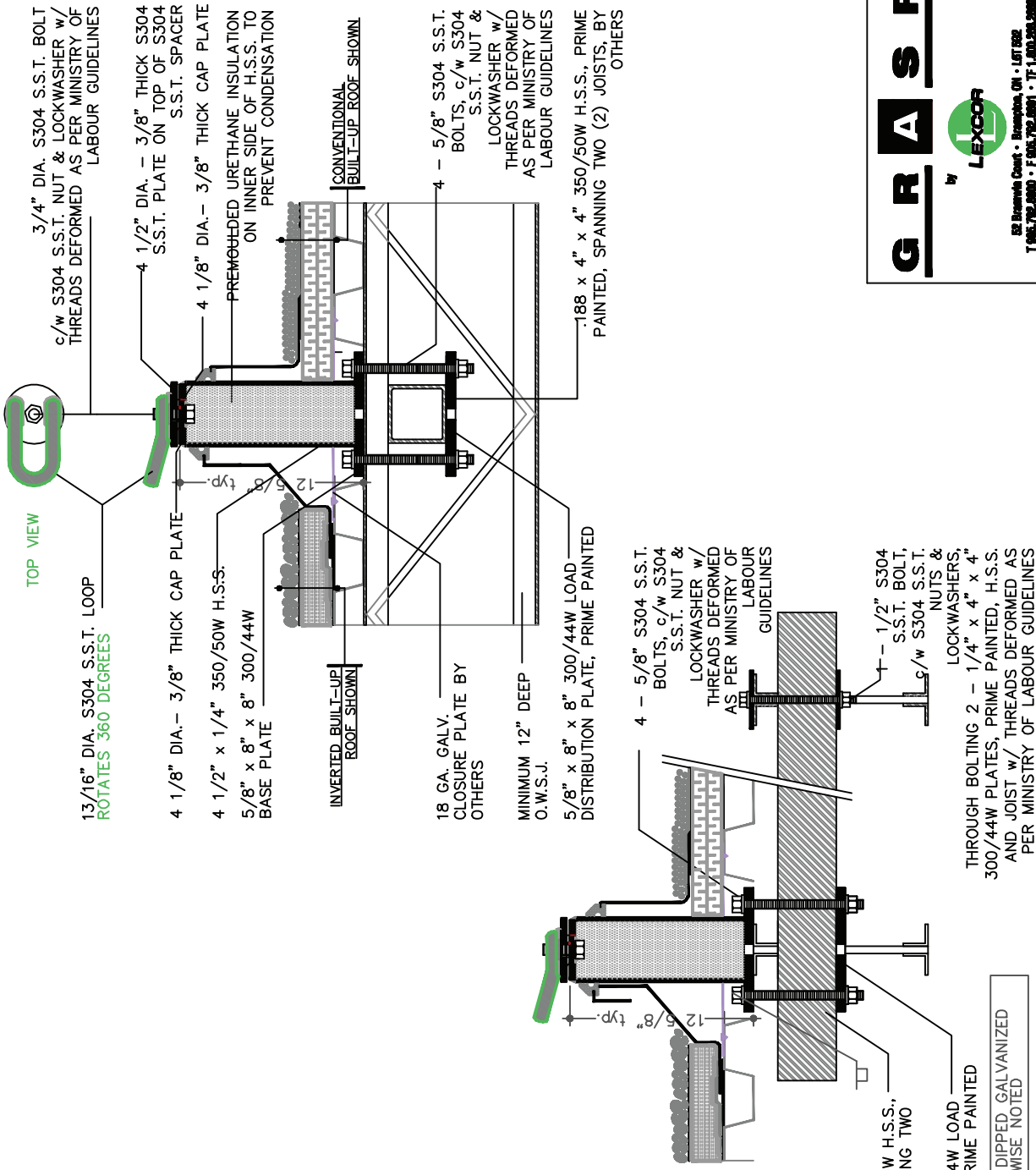
O.W.S.J.
NO CONCRETE ON DECK

- SA-301
- SA-301-SS
- SA-301-SW
- SA-301-SW-SS

I-BEAM

CAST-IN-PLACE

RECESSED TERRACE



G R A S P

by **LEXCOR**

83 Riverside Court • Etobicoke, ON • L8T 2S2
 T 905.792.8800 • F 905.792.8801 • T1.800.368.2889
 www.lexcor.ca • info@lexcor.ca

ROOF ANCHORS

ADHESIVE

THROUGH-BOLTED

O.W.S.J.
NO CONCRETE ON DECK

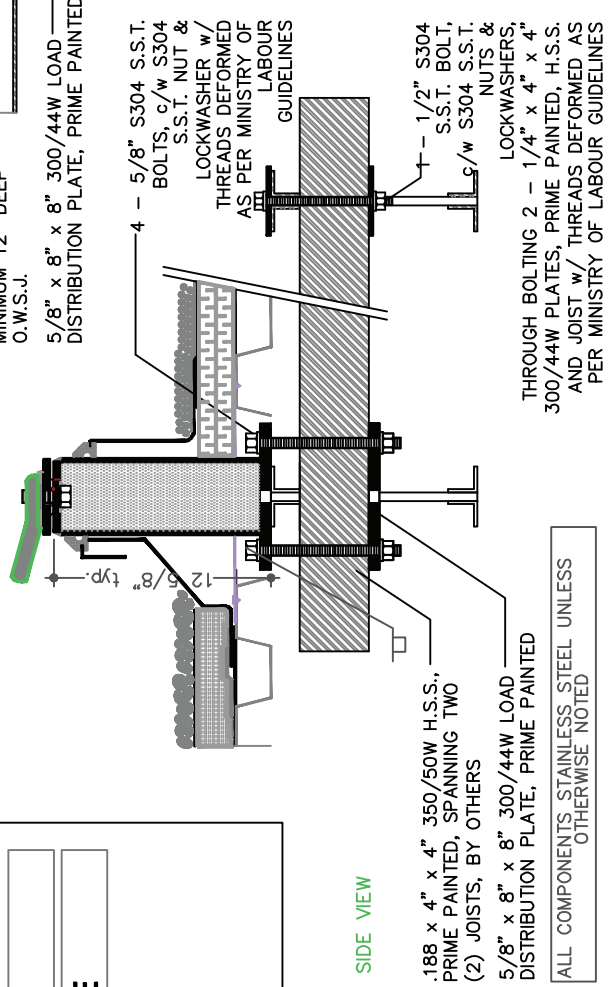
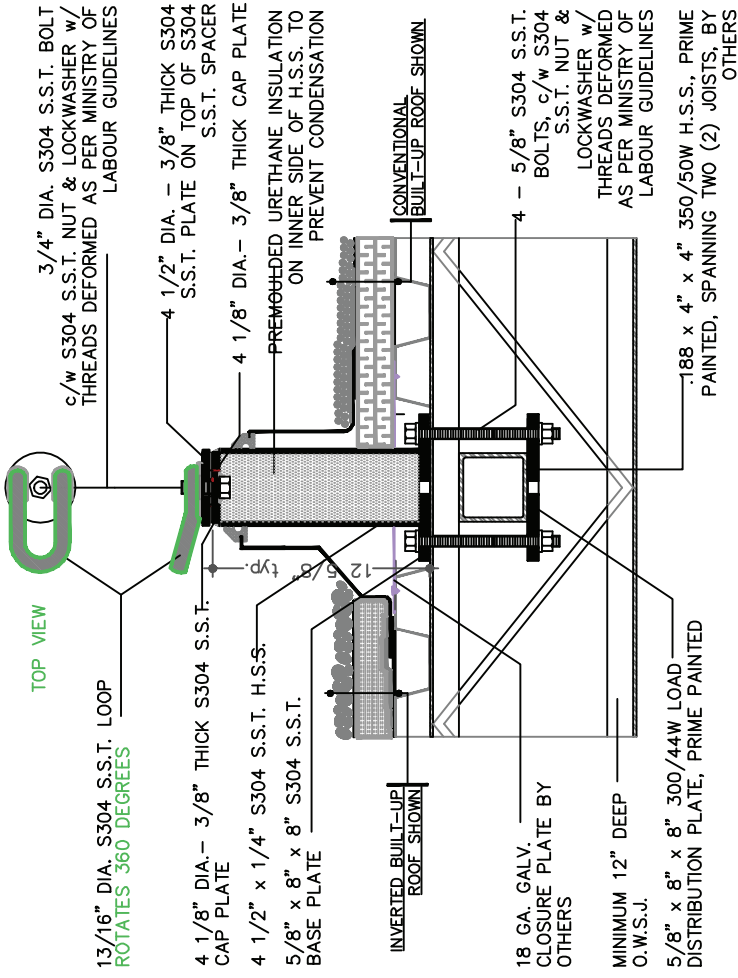
SA-301
SA-301-SS
SA-301-SW
SA-301-SW-SS

I-BEAM

CAST-IN-PLACE

RECESSED TERRACE

TOP VIEW



SIDE VIEW

.188 x 4" x 4" 350/50W H.S.S.,
PRIME PAINTED, SPANNING TWO
(2) JOISTS, BY OTHERS

5/8" x 8" x 8" 300/44W LOAD
DISTRIBUTION PLATE, PRIME PAINTED

ALL COMPONENTS STAINLESS STEEL UNLESS
OTHERWISE NOTED

GRASP
by **LEXCOR**

82 Brantville Court • Brantville, ON • L8T 1S2
T 905.792.8800 • F 905.792.8801 • T1.1.888.388.2883
www.lexcor.net • lex@lexcor.net

ROOF ANCHORS

ADHESIVE

THROUGH-BOLTED

O.W.S.J. CONCRETE ON DECK

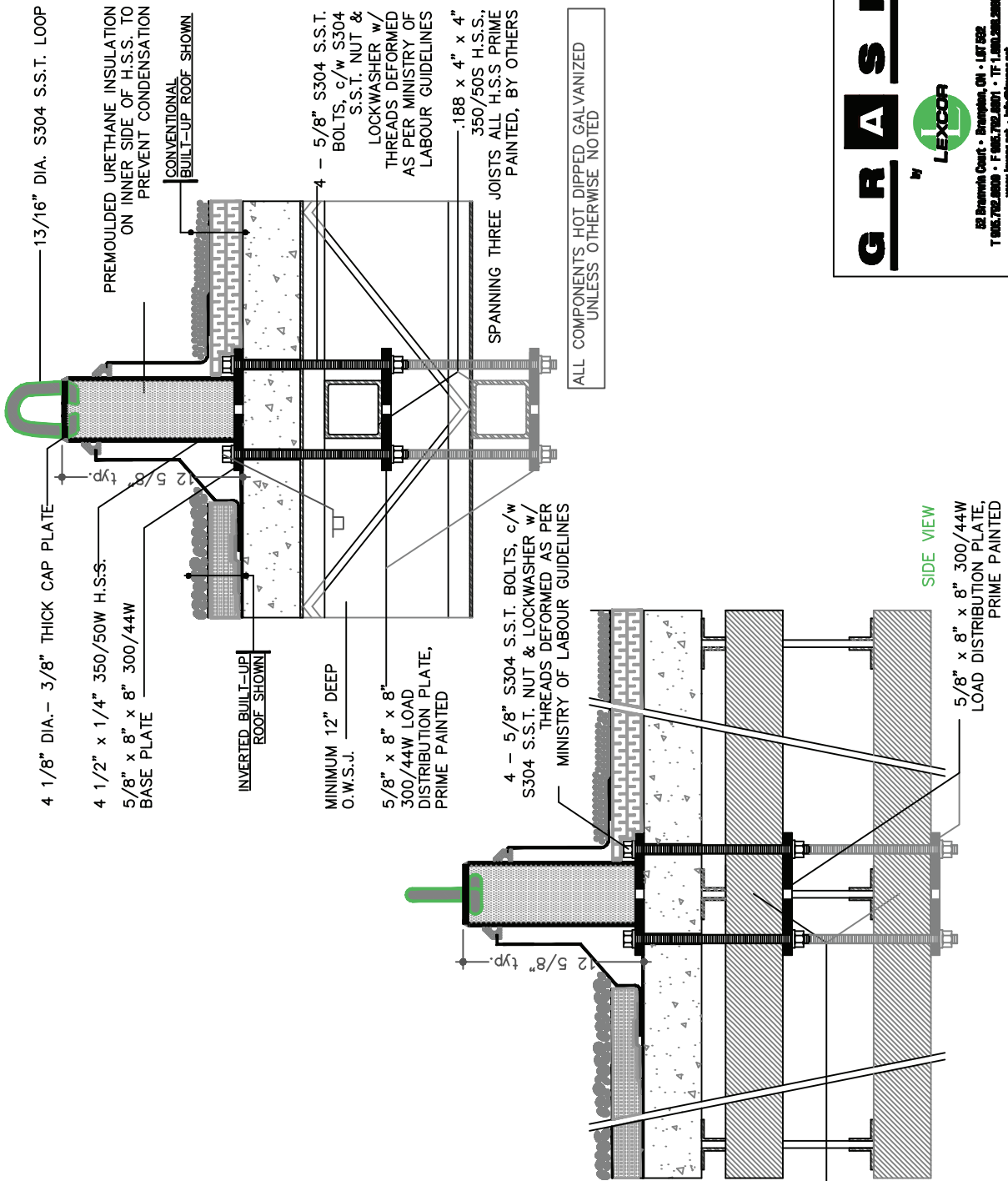
- SA-302
- SA-302-SS
- SA-302-SW
- SA-302-SW-SS

I-BEAM

CAST-IN-PLACE

RECESSED TERRACE

.188 x 4" x 4" 350/50W H.S.S. BY OTHERS, SPANNING THREE (3) JOISTS PRIME PAINTED



ALL COMPONENTS HOT DIPPED GALVANIZED UNLESS OTHERWISE NOTED

SIDE VIEW
5/8" x 8" x 8" 300/44W LOAD DISTRIBUTION PLATE, PRIME PAINTED

G R A S P
by **LEXCOR**

82 Brownsville Court • Brownsville, OH • 45712
T 603.792.8800 • F 603.792.8801 • T1-800-288-2893
www.lexcor.net • lex@lexcor.net

ROOF ANCHORS

ADHESIVE

THROUGH-BOLTED

O.W.S.J. CONCRETE ON DECK

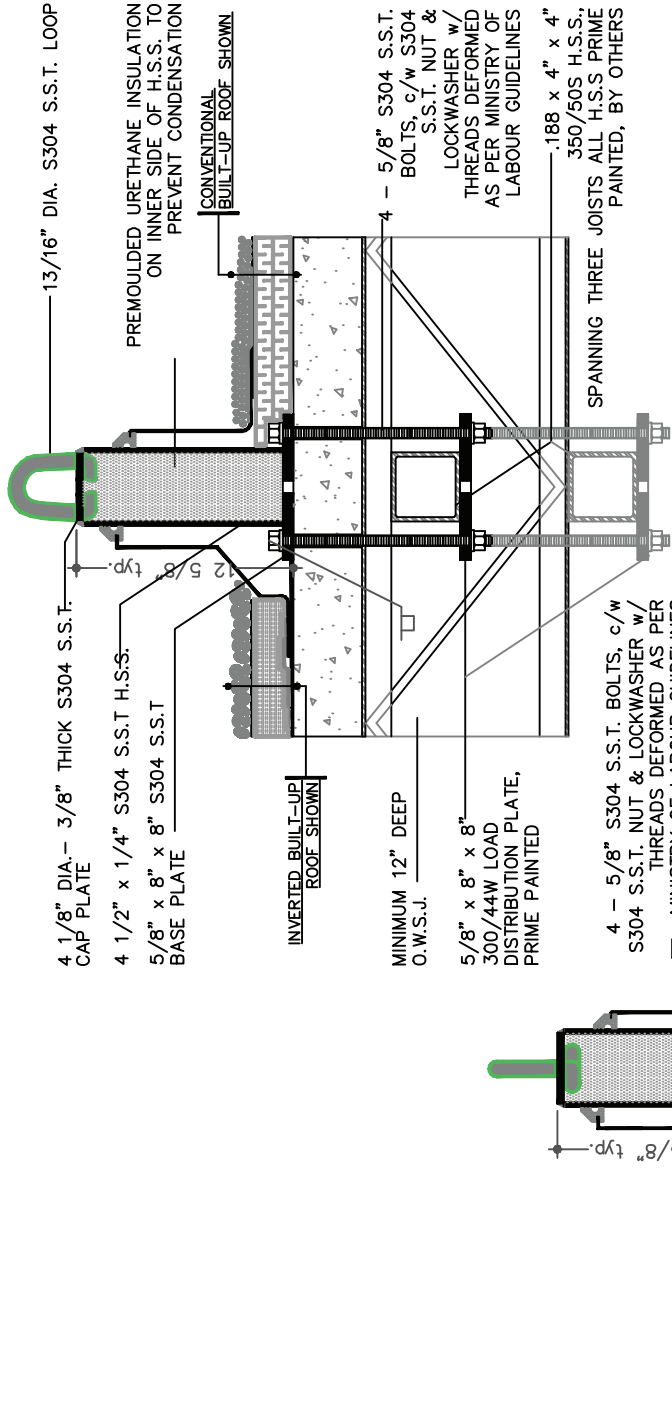
SA-302
 SA-302-SS
 SA-302-SW
 SA-302-SW-SS

I-BEAM

CAST-IN-PLACE

RECESSED TERRACE

.188 x 4" x 4" 350/50W H.S.S. BY OTHERS, SPANNING THREE (3) JOISTS PRIME PAINTED



ALL COMPONENTS STAINLESS STEEL UNLESS OTHERWISE NOTED

SIDE VIEW
 5/8" x 8" x 8" 300/44W LOAD DISTRIBUTION PLATE, PRIME PAINTED

GRASP
 by **LEXCOR**
 82 Bramwin Court • Brampton, ON • L6T 6E2
 T 905.792.8800 • F 905.792.8801 • TF 1.800.388.3888
 www.lexcor.net • info@lexcor.net

ROOF ANCHORS

ADHESIVE

THROUGH-BOLTED

O.W.S.J. CONCRETE ON DECK

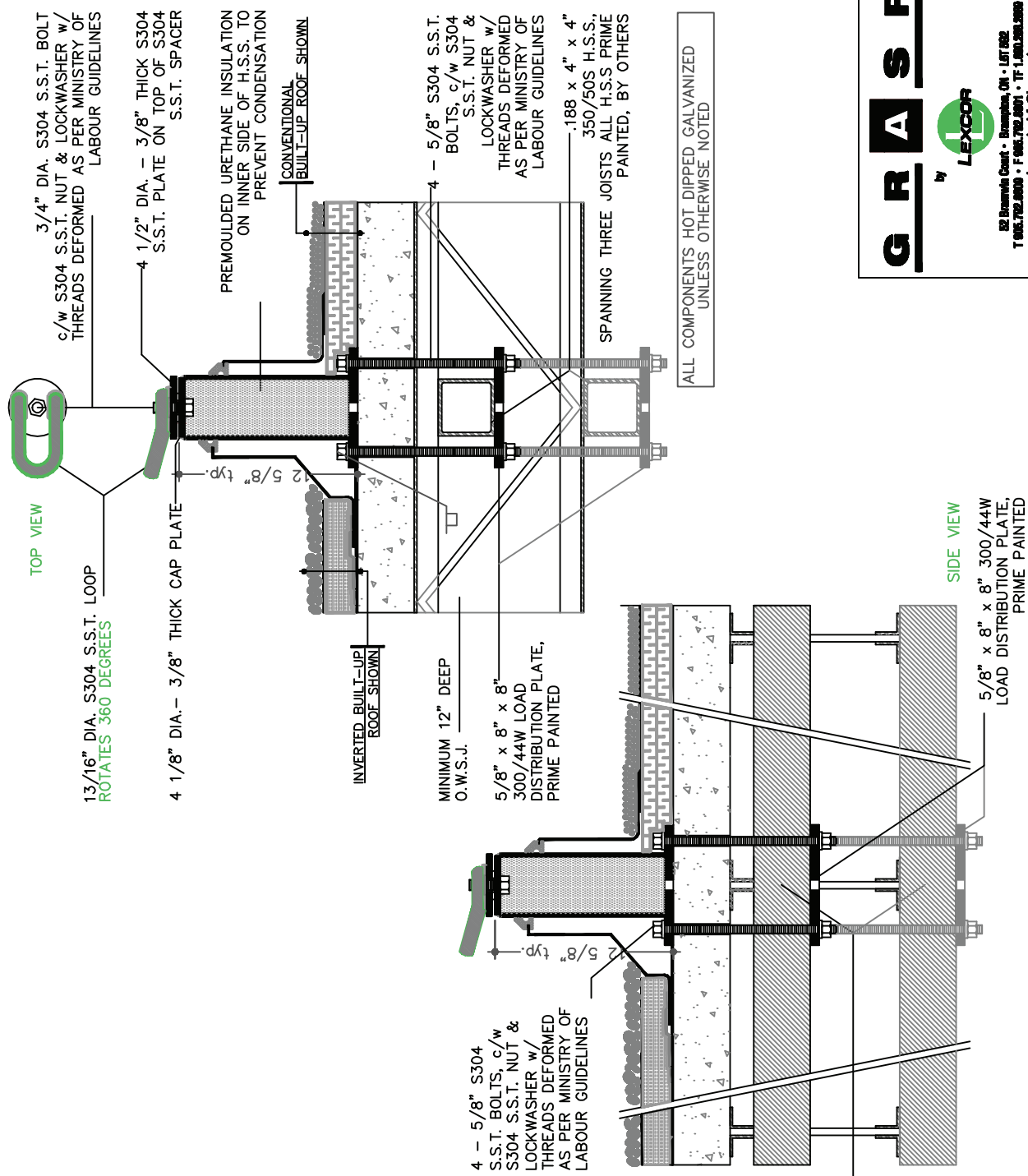
- SA-302
- SA-302-SS
- SA-302-SW
- SA-302-SW-SS

I-BEAM

CAST-IN-PLACE

RECESSED TERRACE

.188 x 4" x 4" 350/50W H.S.S. BY OTHERS, SPANNING THREE (3) JOISTS PRIME PAINTED



GRASP
by **LEXCOR**

82 Brunswick Court • Brunswick, ON • L0T 02E
T 905.782.4800 • F 905.782.4801 • TF 1.800.288.2889
www.lexcor.ca • info@lexcor.net

ROOF ANCHORS

ADHESIVE

THROUGH-BOLTED

O.W.S.J. **CONCRETE ON DECK**

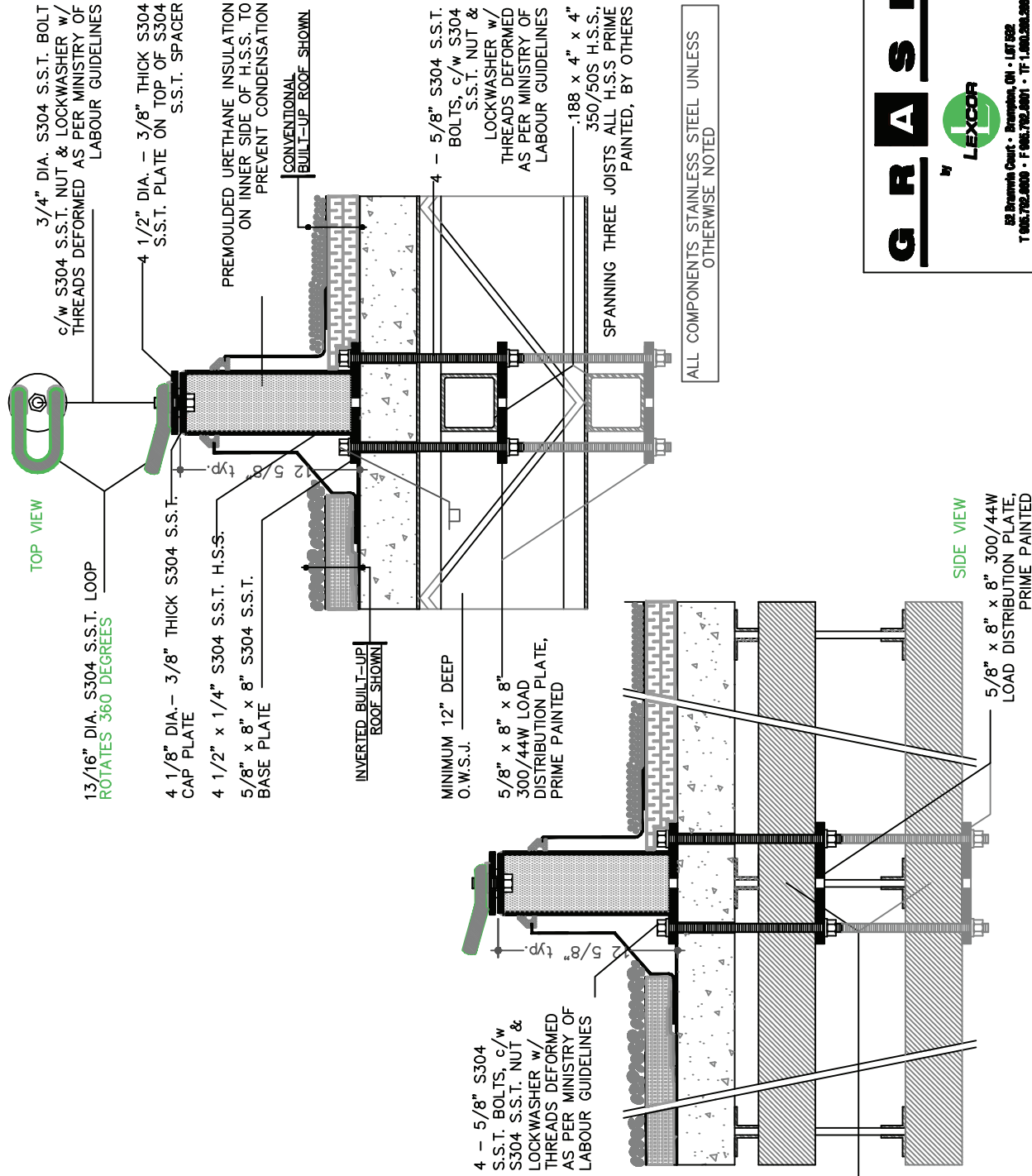
SA-302
SA-302-SS
SA-302-SW
SA-302-SW-SS

I-BEAM

CAST-IN-PLACE

RECESSED TERRACE

.188 x 4" x 4" 350/50W H.S.S. BY OTHERS, SPANNING THREE (3) JOISTS PRIME PAINTED



ALL COMPONENTS STAINLESS STEEL UNLESS OTHERWISE NOTED

GRASP
by **LEXCOR**

82 Brunsvick Court • Brunswick, OH • 43752
T 603.792.4800 • F 603.792.4801 • TF 1.800.293.2989
www.lexcor.net • info@lexcor.net

ROOF ANCHORS

ADHESIVE

THROUGH-BOLTED

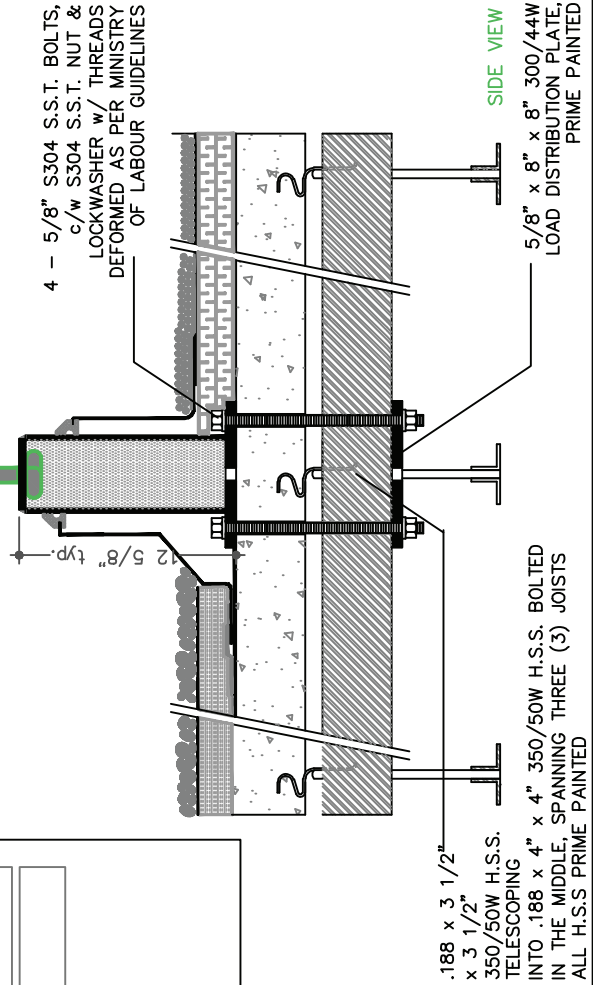
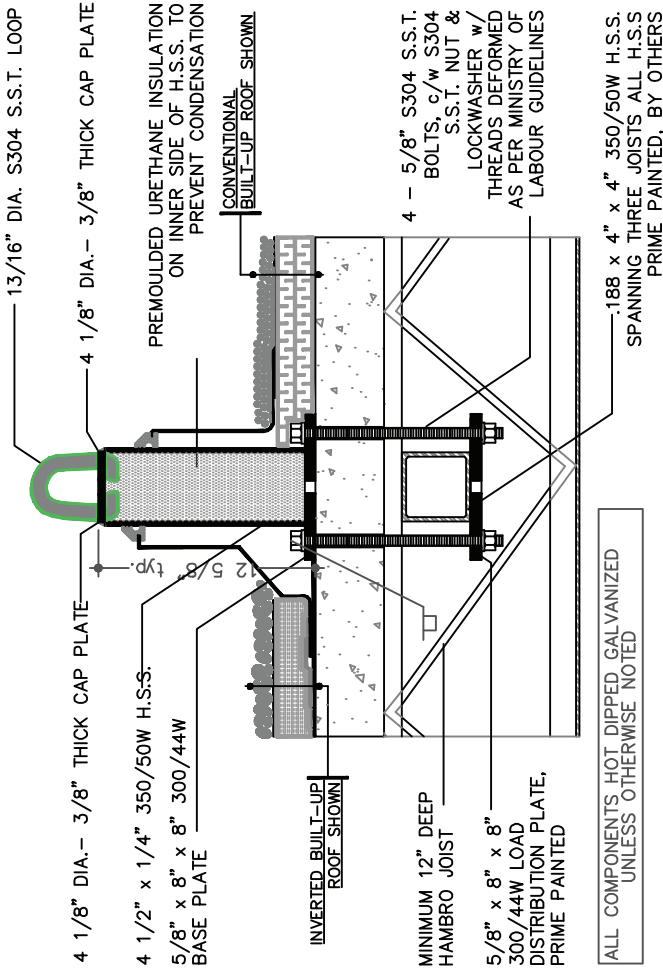
O.W.S.J.
HAMBRO JOIST

- SA-303
- SA-303-SS
- SA-303-SW
- SA-303-SW-SS

I-BEAM

CAST-IN-PLACE

RECESSED TERRACE



GRASP

by **LEXCOR**

82 Bramble Court • Brampton, ON • L6T 6R2
 T 905.792.4880 • F 905.792.4891 • TF 1.800.263.2699
 www.lexcor.com • info@lexcor.com

ROOF ANCHORS

ADHESIVE

THROUGH-BOLTED

O.W.S.J.

HAMBRO JOIST

SA-303

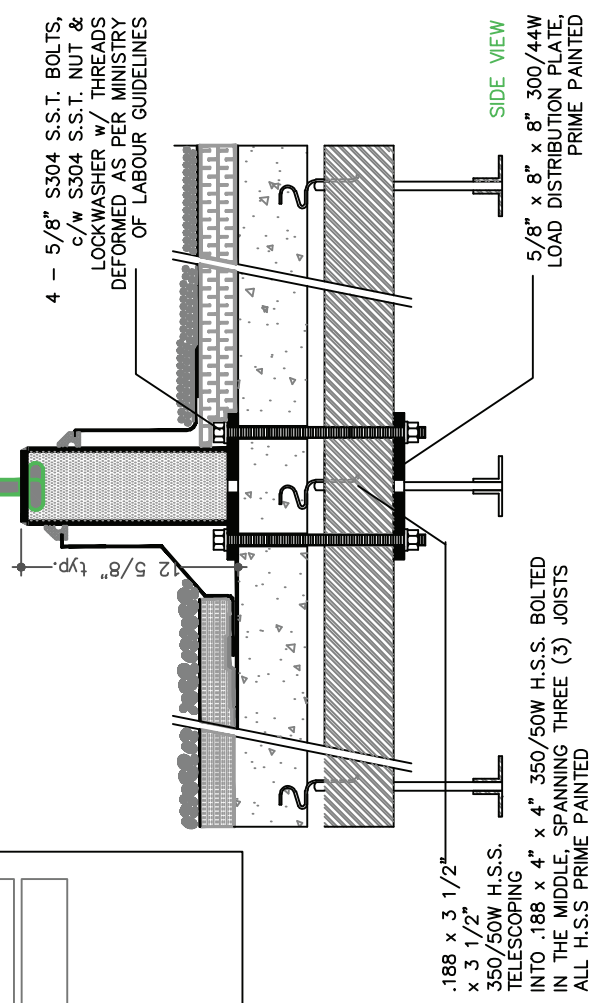
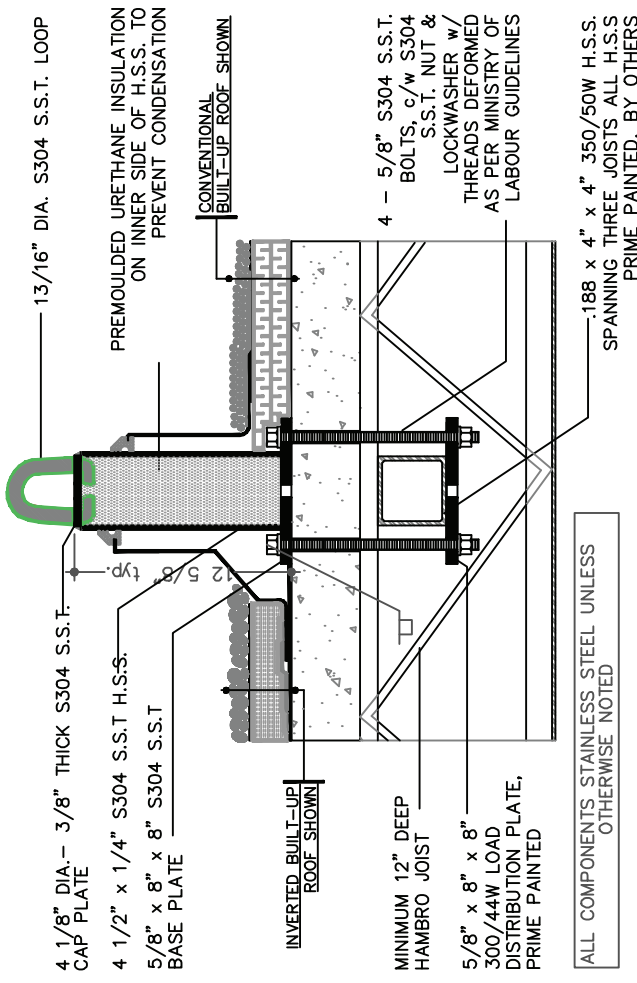
SA-303-SW

SA-303-SW-SS

I-BEAM

CAST-IN-PLACE

RECESSED TERRACE



G R A S P

by **LEXCOR**

82 Brunswick Court • Brunswick, ON • L1T 1S2
 T 905.792.6000 • F 905.792.6001 • T 1.800.588.2899
 www.lexcor.net • info@lexcor.net

ROOF ANCHORS

ADHESIVE

THROUGH-BOLTED

O.W.S.J.

HAMBRO JOIST

SA-303

SA-303-SS

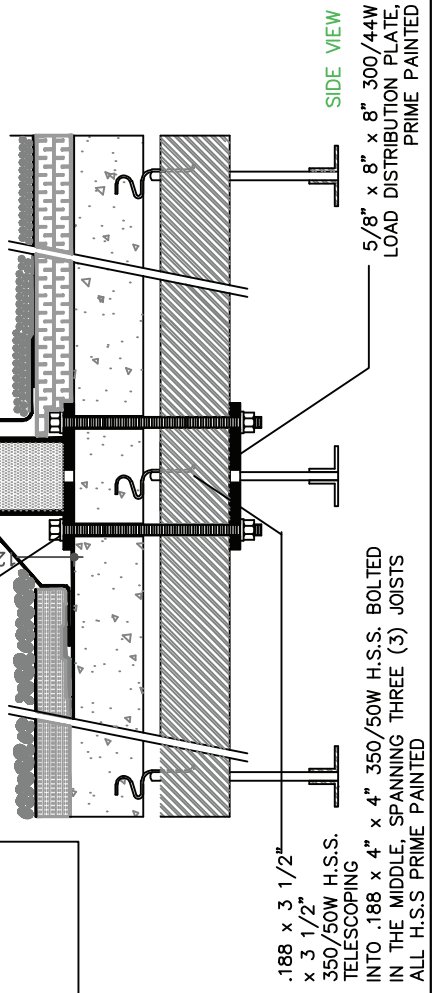
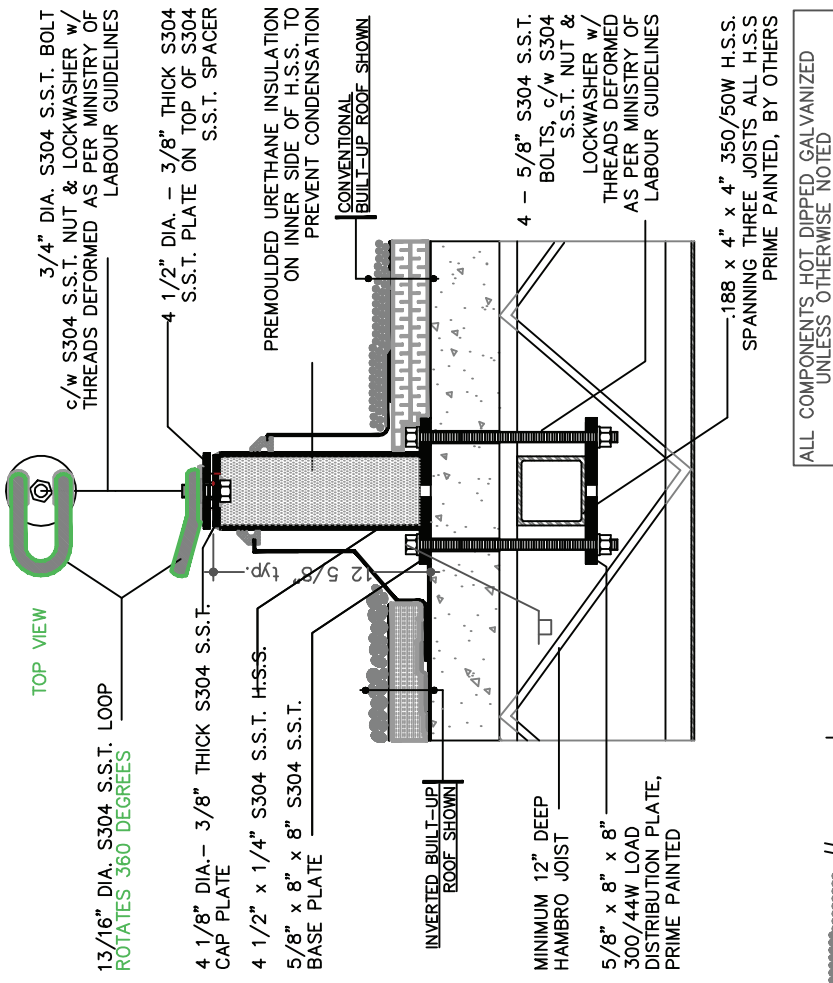
SA-303-SW

SA-303-SW-SS

I-BEAM

CAST-IN-PLACE

RECESSED TERRACE



G R A S P

by **LEXCOR**

32 Brantford Court • Brantford, ON • L6T 1S2
T 800.792.8800 • F 800.792.8801 • T 1.800.528.5289
www.lexcor.net • info@lexcor.net

ROOF ANCHORS

ADHESIVE

THROUGH-BOLTED

O.W.S.J.

HAMBRO JOIST

SA-303

SA-303-SS

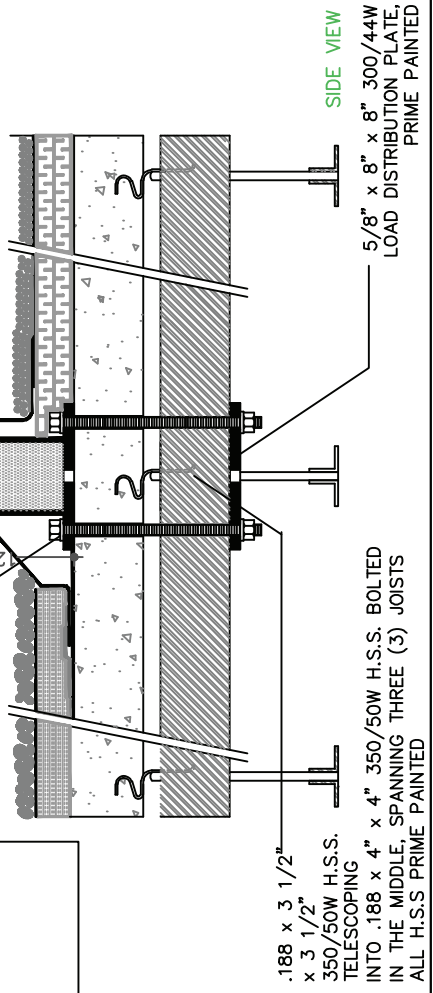
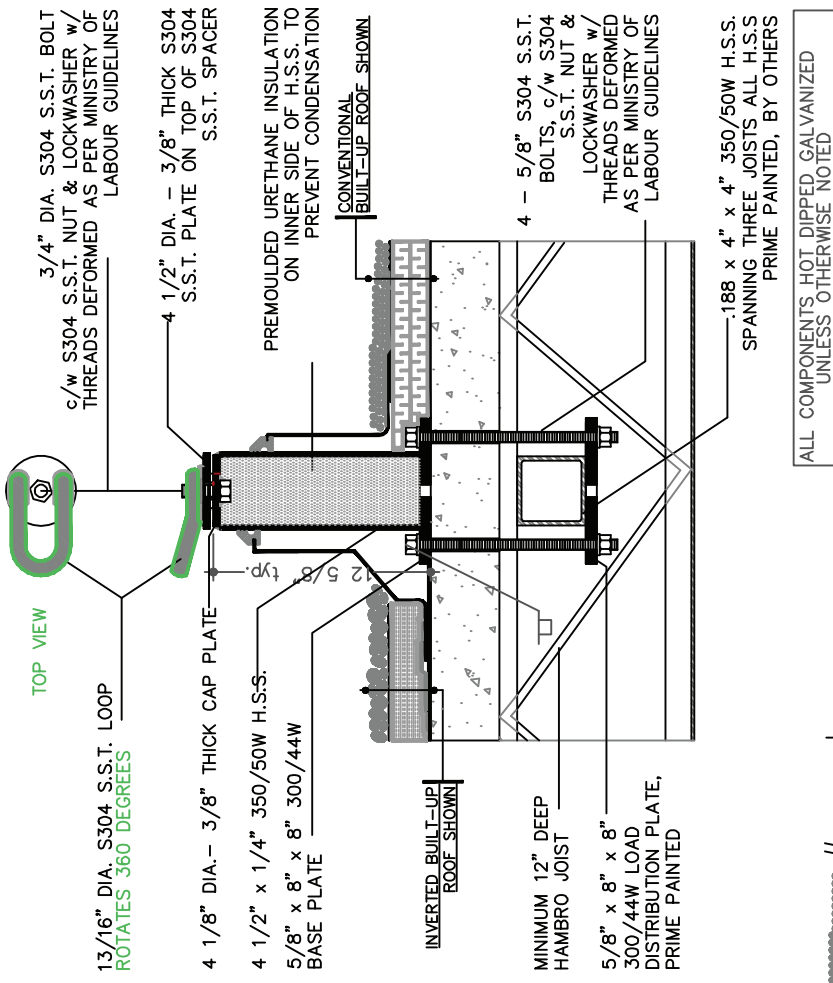
SA-303-SW

SA-303-SW-SS

I-BEAM

CAST-IN-PLACE

RECESSED TERRACE



ALL COMPONENTS HOT DIPPED GALVANIZED UNLESS OTHERWISE NOTED

G R A S P
 by **LEXCOR**
 82 Brantville Court • Brantville, ON • L8T 1S2
 T 905.792.8800 • F 905.792.8801 • T1.800.368.2889
 www.lexcor.net • info@lexcor.net

ROOF ANCHORS

ADHESIVE

THROUGH-BOLTED

O.W.S.J.

I-BEAM

WRAP AROUND
NO CONCRETE ON DECK

→ SA-401

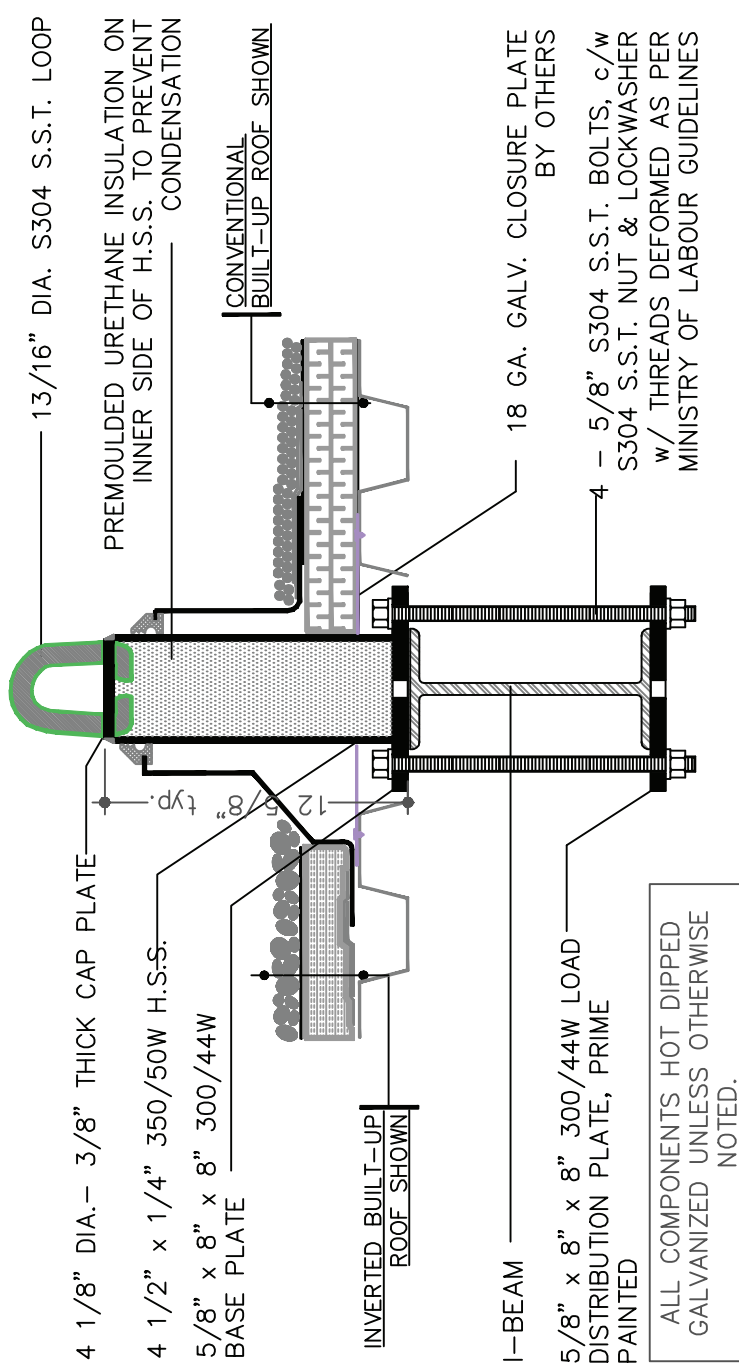
SA-401-SS

SA-401-SW

SA-401-SW-SS

CAST-IN-PLACE

RECESSED TERRACE



G R A S P

by **LEXCOR**

52 Bramwin Court • Brampton, ON • L6T 5G2
 T 905.792.9800 • F 905.792.9801 • TF 1.800.268.2889
 www.lexcor.net • info@lexcor.net

ROOF ANCHORS

ADHESIVE

THROUGH-BOLTED

O.W.S.J.

I-BEAM

WRAP AROUND
NO CONCRETE ON DECK

SA-401

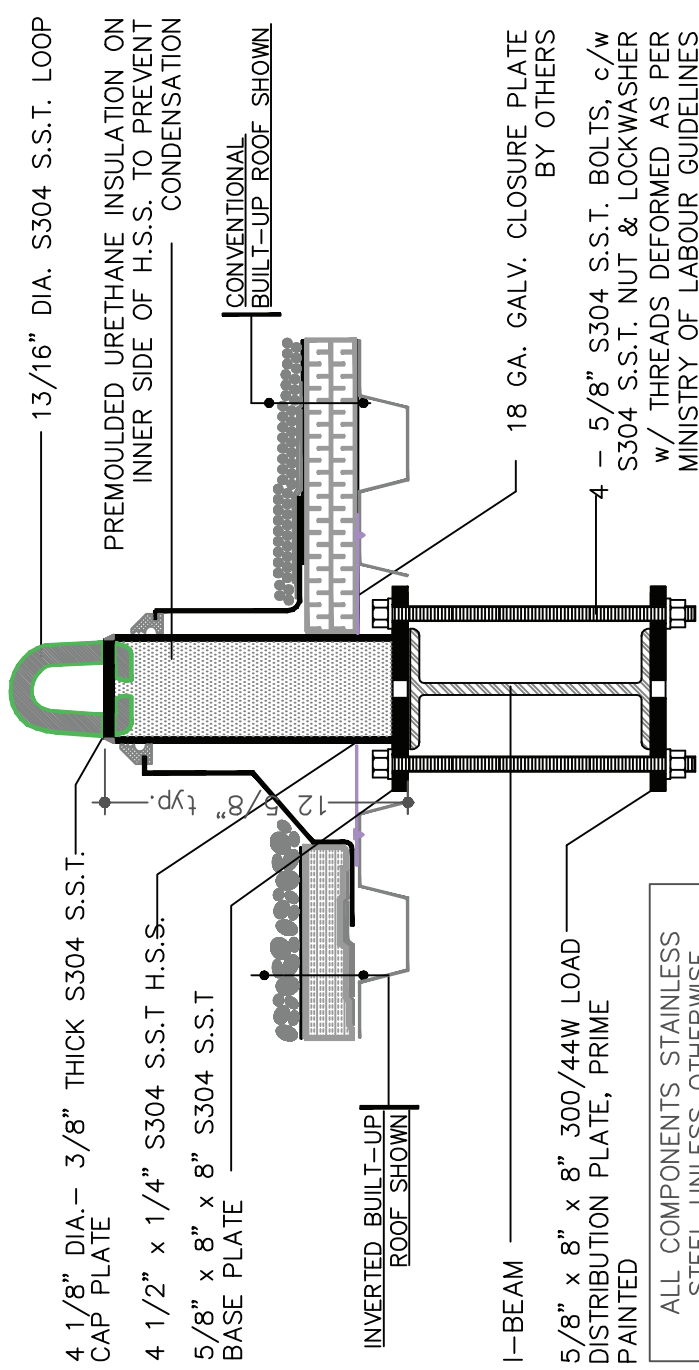
SA-401-SS

SA-401-SW

SA-401-SW-SS

CAST-IN-PLACE

RECESSED TERRACE



4 1/8" DIA.- 3/8" THICK S304 S.S.T. CAP PLATE

4 1/2" x 1/4" S304 S.S.T H.S.S. BASE PLATE

5/8" x 8" x 8" S304 S.S.T

INVERTED BUILT-UP ROOF SHOWN

I-BEAM

5/8" x 8" x 8" 300/44W LOAD DISTRIBUTION PLATE, PRIME PAINTED

ALL COMPONENTS STAINLESS STEEL UNLESS OTHERWISE NOTED.

13/16" DIA. S304 S.S.T. LOOP

PREMOULDED URETHANE INSULATION ON INNER SIDE OF H.S.S. TO PREVENT CONDENSATION

CONVENTIONAL BUILT-UP ROOF SHOWN

18 GA. GALV. CLOSURE PLATE BY OTHERS

4 - 5/8" S304 S.S.T. BOLTS, c/w S304 S.S.T. NUT & LOCKWASHER w/ THREADS DEFORMED AS PER MINISTRY OF LABOUR GUIDELINES

G R A S P



52 Bramwin Court • Brampton, ON • L6T 5G2
T 905.792.8600 • F 905.792.8601 • TF 1.800.268.2688
www.lexcor.net • info@lexcor.net

ROOF ANCHORS

ADHESIVE

THROUGH-BOLTED

O.W.S.J.

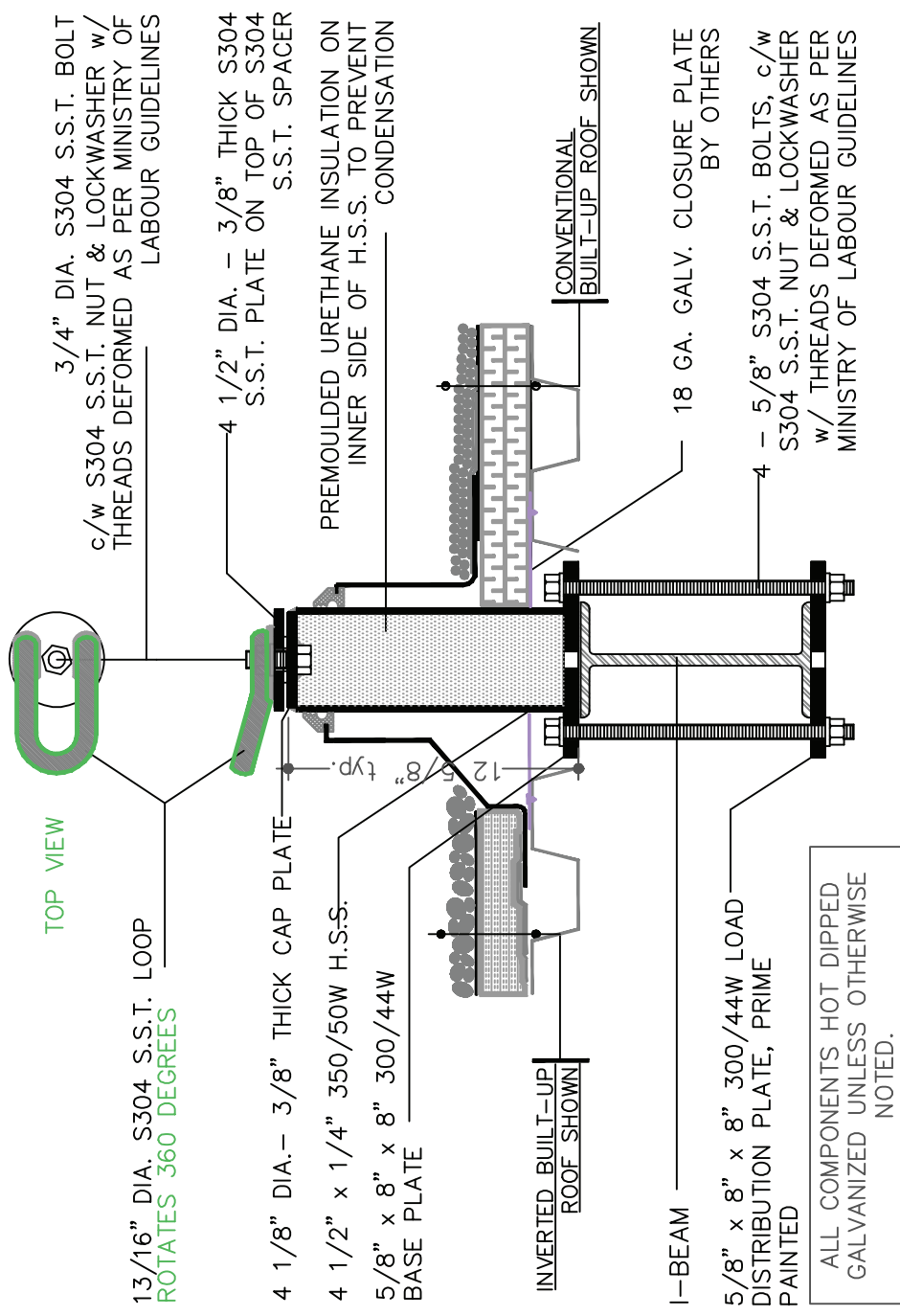
I-BEAM

WRAP AROUND
NO CONCRETE ON DECK

- SA-401
- SA-401-SS
- SA-401-SW
- SA-401-SW-SS

CAST-IN-PLACE

RECESSED TERRACE



G R A S P

by **LEXCOR**

52 Bramwin Court • Brampton, ON • L6T 5G2
T 905.792.8600 • F 905.792.8601 • TF 1.800.268.2688
www.lexcor.net • info@lexcor.net

ROOF ANCHORS

ADHESIVE

THROUGH-BOLTED

O.W.S.J.

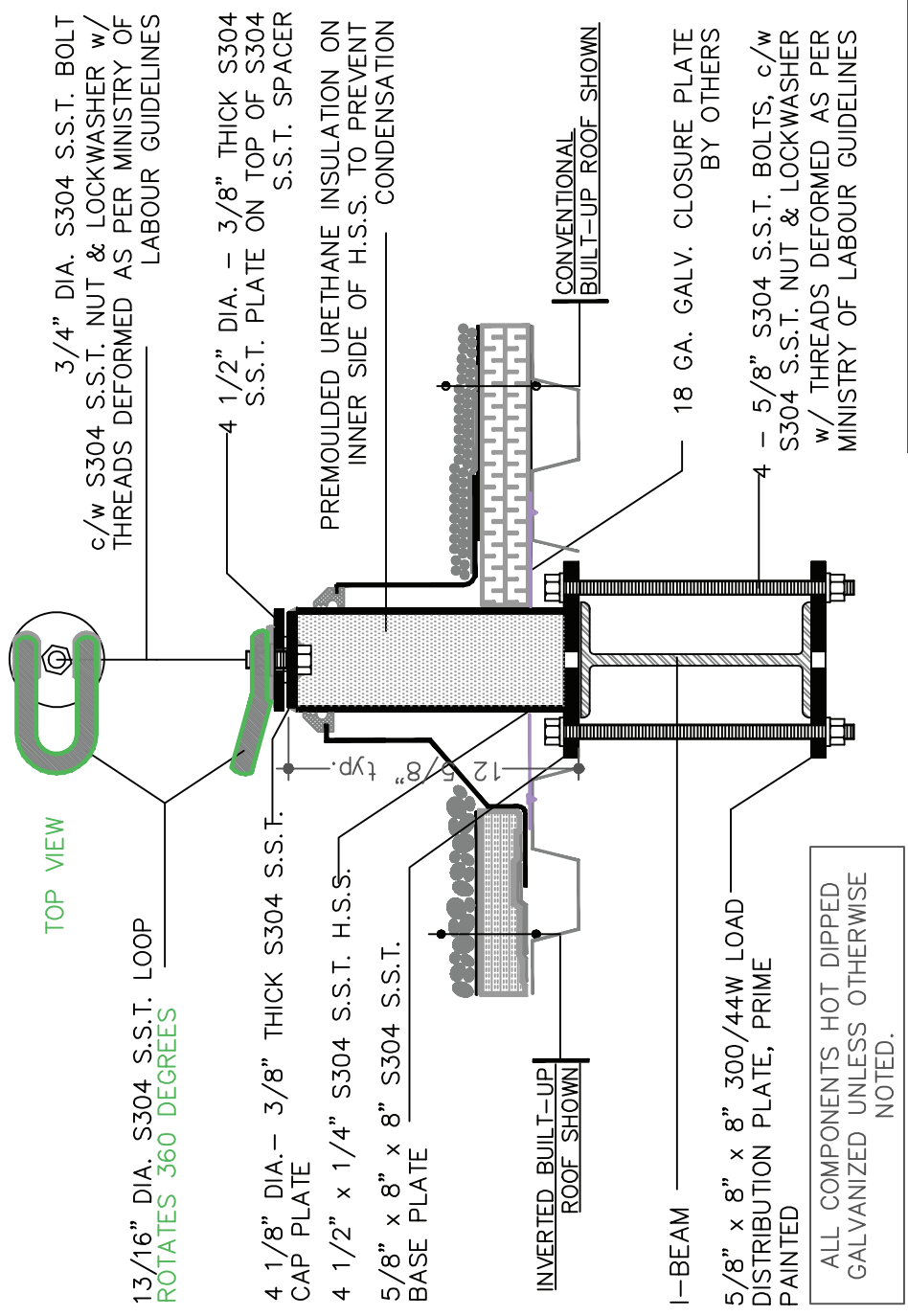
I-BEAM

WRAP AROUND
NO CONCRETE ON DECK

- SA-401
- SA-401-SS
- SA-401-SW
- SA-401-SW-SS

CAST-IN-PLACE

RECESSED TERRACE



G R A S P

by **LEXCOR**

52 Bramwin Court • Brampton, ON • L6T 5G2
T 905.792.8600 • F 905.792.8601 • TF 1.800.268.2688
www.lexcor.net • info@lexcor.net

ROOF ANCHORS

ADHESIVE

THROUGH-BOLTED

O.W.S.J.

I-BEAM

WRAP AROUND
CONCRETE ON DECK

→ SA-402

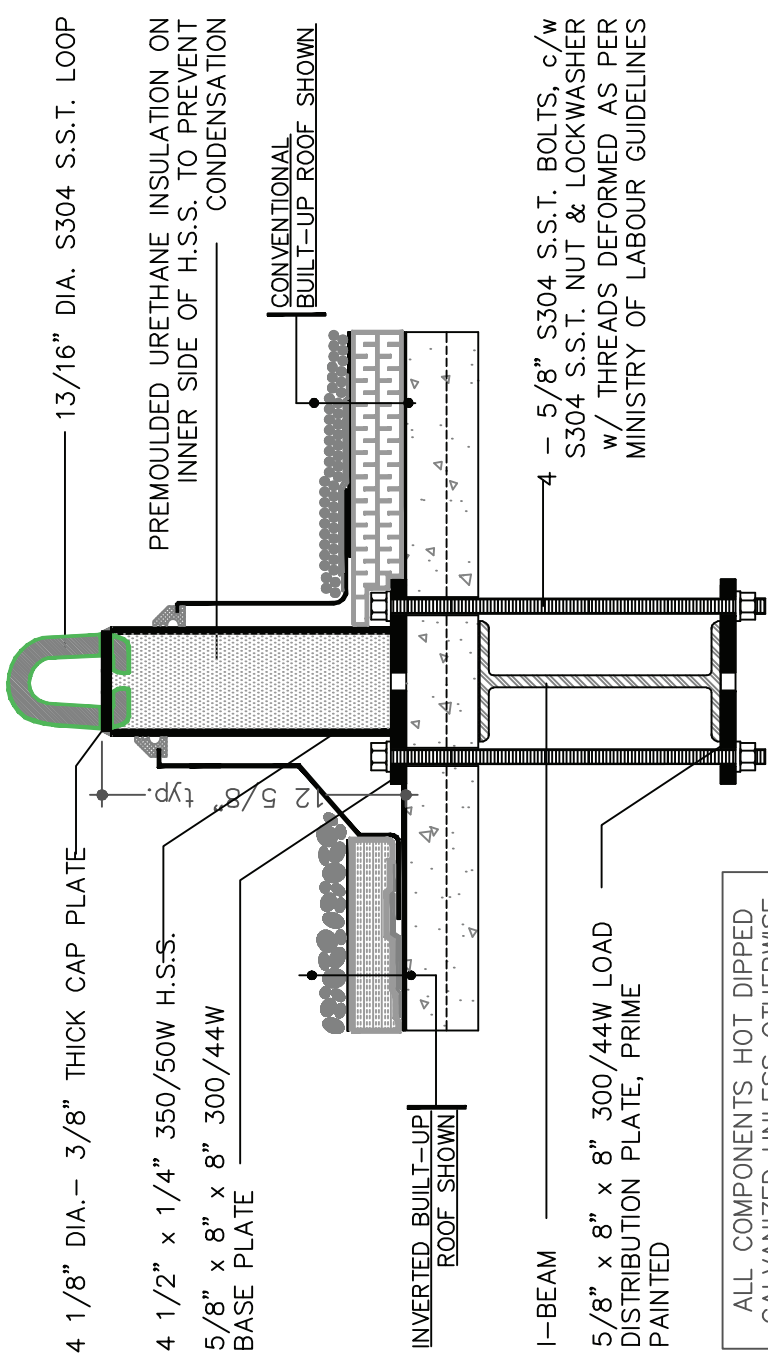
SA-402-SS

SA-402-SW

SA-402-SW-SS

CAST-IN-PLACE

RECESSED TERRACE



ALL COMPONENTS HOT DIPPED
GALVANIZED UNLESS OTHERWISE
NOTED.

G R A S P

by **LEXCOR**

52 Bramwin Court • Brampton, ON • L6T 5G2
T 905.792.8800 • F 905.792.8801 • TF 1.800.288.2889
www.lexcor.net • Info@lexcor.net

ROOF ANCHORS

ADHESIVE

THROUGH-BOLTED

O.W.S.J.

I-BEAM

WRAP AROUND
CONCRETE ON DECK

SA-402

SA-402-SS

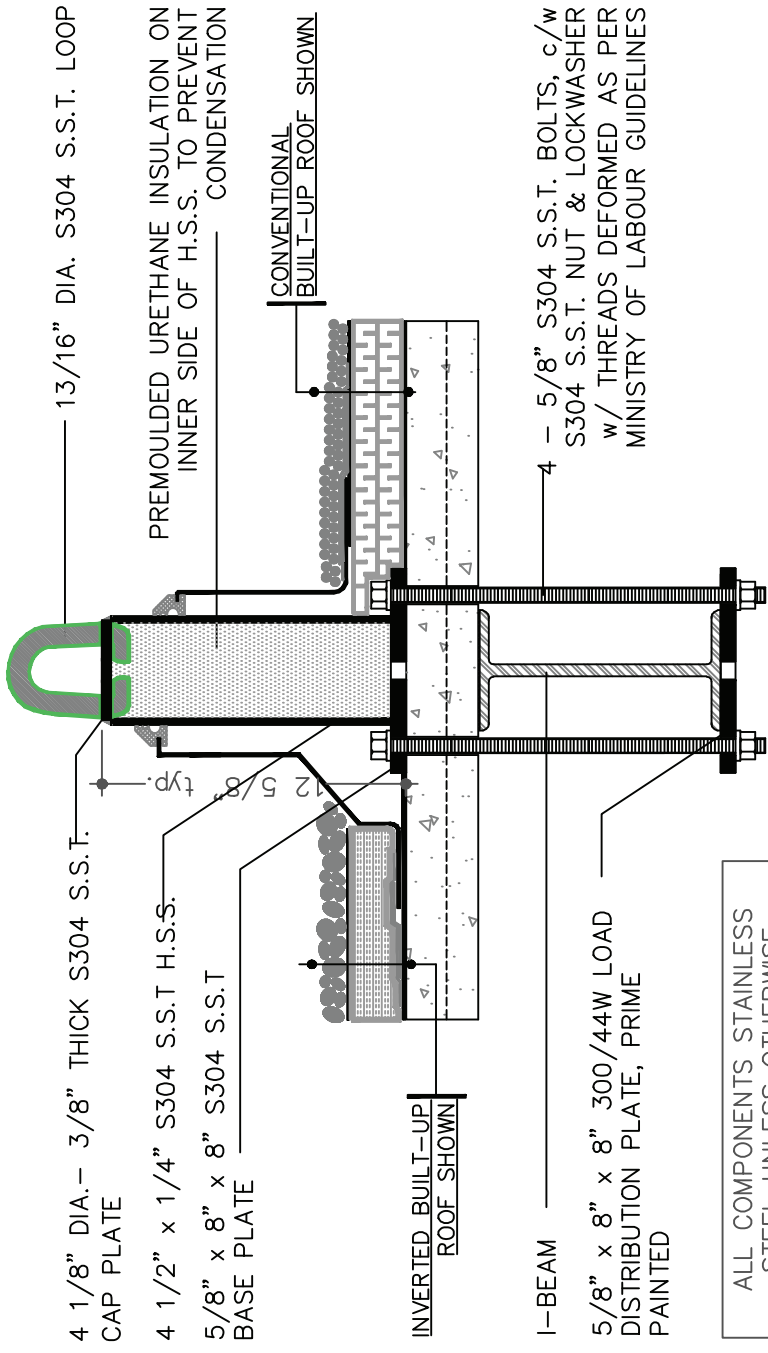
SA-402-SW

SA-402-SW-SS

CAST-IN-PLACE

RECESSED TERRACE

4 1/8" DIA. - 3/8" THICK S304 S.S.T. CAP PLATE
 4 1/2" x 1/4" S304 S.S.T H.S.S.
 5/8" x 8" x 8" S304 S.S.T BASE PLATE



CONVENTIONAL
BUILT-UP ROOF SHOWN

INVERTED BUILT-UP
ROOF SHOWN

I-BEAM

5/8" x 8" x 8" 300/44W LOAD
DISTRIBUTION PLATE, PRIME
PAINTED

ALL COMPONENTS STAINLESS
STEEL UNLESS OTHERWISE
NOTED.

4 - 5/8" S304 S.S.T. BOLTS, c/w
S304 S.S.T. NUT & LOCKWASHER
w/ THREADS DEFORMED AS PER
MINISTRY OF LABOUR GUIDELINES

G R A S P
 by **LEXCOR**
 52 Bramwin Court • Brampton, ON • L6T 5G2
 T 905.792.8600 • F 905.792.8601 • TF 1.800.268.2688
 www.lexcor.net • info@lexcor.net

ROOF ANCHORS

ADHESIVE

THROUGH-BOLTED

O.W.S.J.

I-BEAM

WRAP AROUND
CONCRETE ON DECK

SA-402

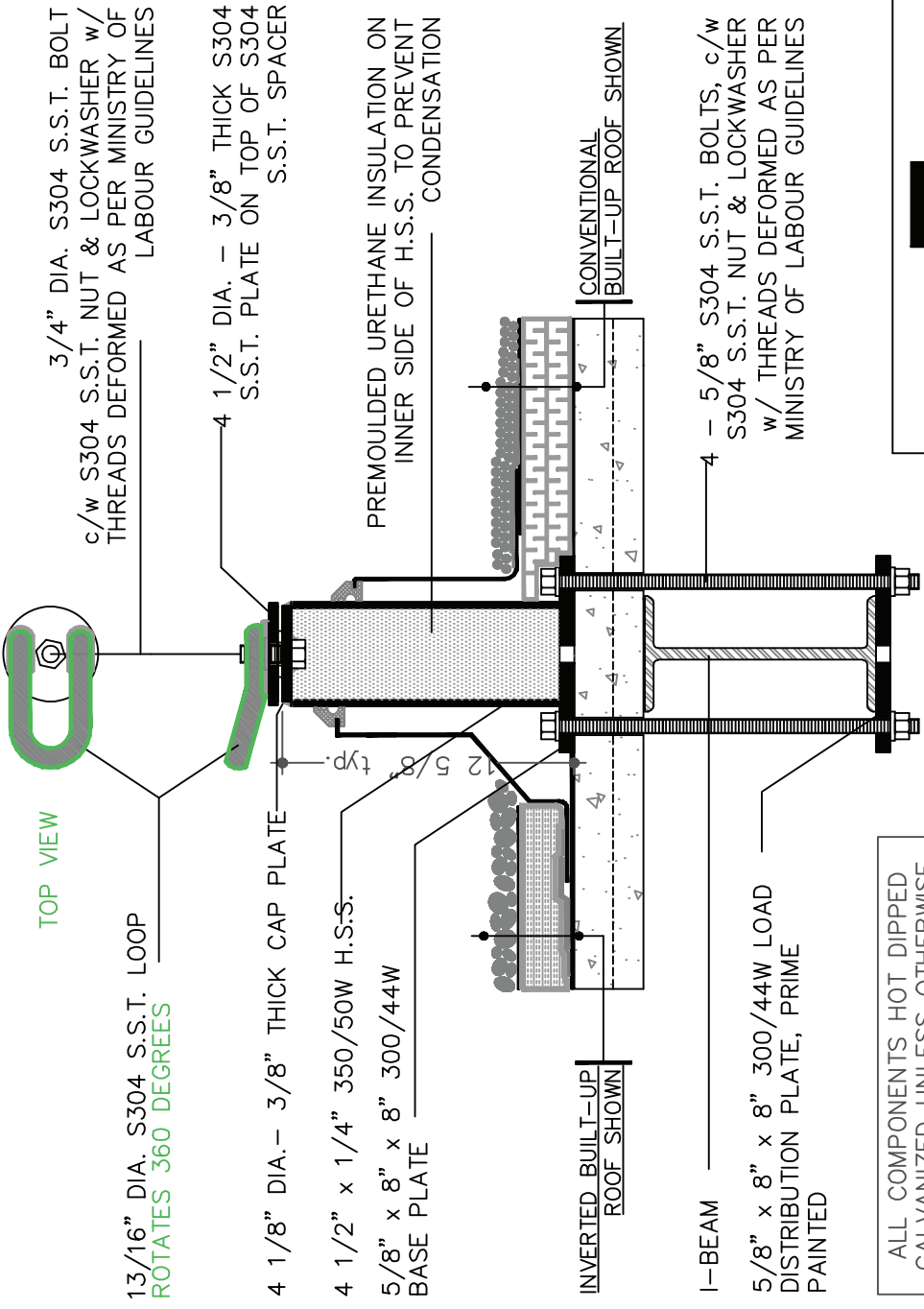
SA-402-SS

SA-402-SW

SA-402-SW-SS

CAST-IN-PLACE

RECESSED TERRACE



TOP VIEW

3/4" DIA. S304 S.S.T. BOLT
c/w S304 S.S.T. NUT & LOCKWASHER w/
THREADS DEFORMED AS PER MINISTRY OF
LABOUR GUIDELINES

4 1/2" DIA. - 3/8" THICK CAP PLATE

4 1/2" x 1/4" 350/50W H.S.S.
5/8" x 8" x 8" 300/44W
BASE PLATE

PREMOULDED URETHANE INSULATION ON
INNER SIDE OF H.S.S. TO PREVENT
CONDENSATION

CONVENTIONAL
BUILT-UP ROOF SHOWN

4 - 5/8" S304 S.S.T. BOLTS, c/w
S304 S.S.T. NUT & LOCKWASHER
w/ THREADS DEFORMED AS PER
MINISTRY OF LABOUR GUIDELINES

ALL COMPONENTS HOT DIPPED
GALVANIZED UNLESS OTHERWISE
NOTED.

G R A S P
by **LEXCOR**

52 Bramwin Court • Brampton, ON • L6T 5G2
T 905.792.8600 • F 905.792.8601 • TF 1.800.268.2688
www.lexcor.net • info@lexcor.net

ROOF ANCHORS

ADHESIVE

THROUGH-BOLTED

O.W.S.J.

I-BEAM

WRAP AROUND
CONCRETE ON DECK

SA-402

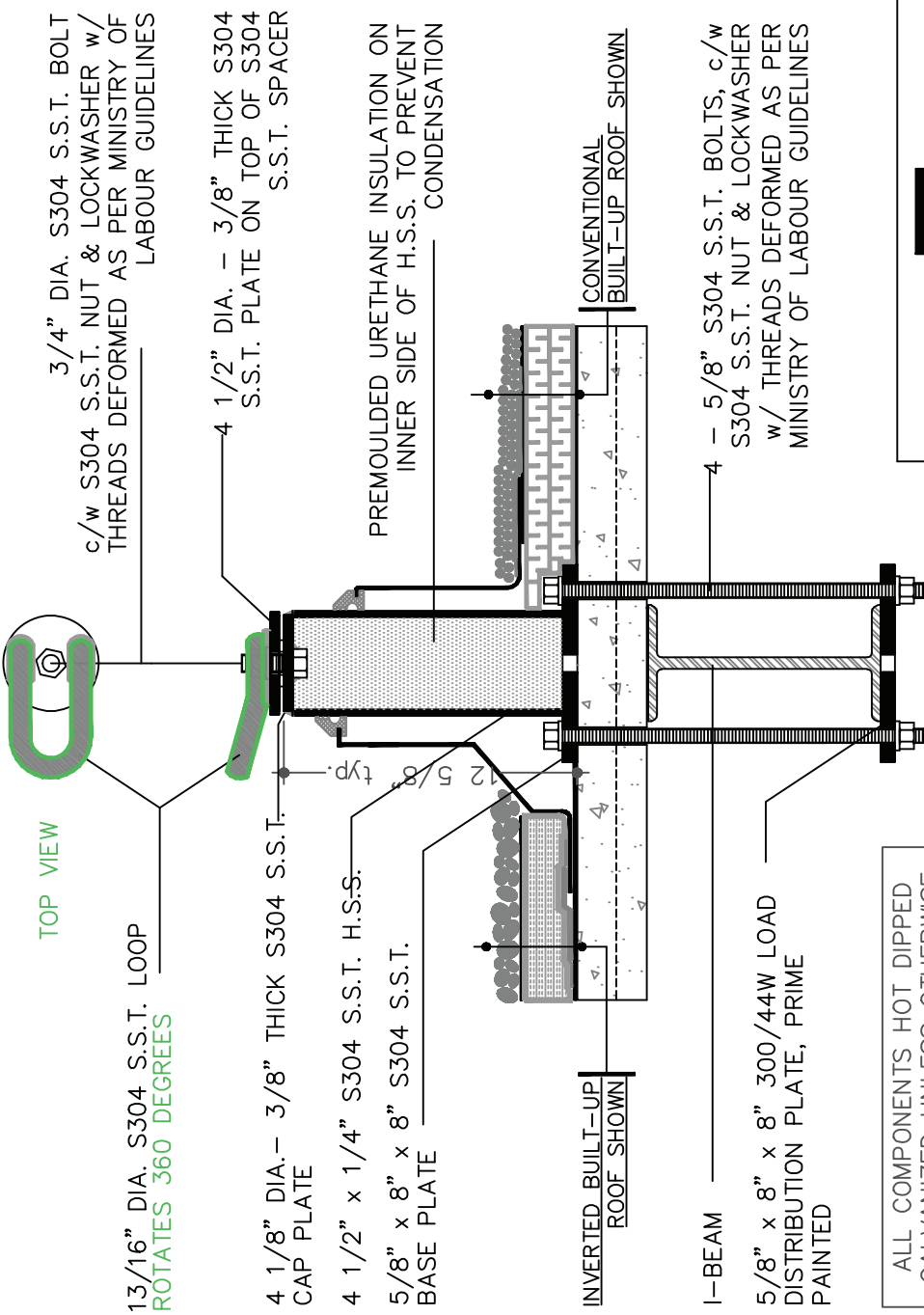
SA-402-SS

SA-402-SW

SA-402-SW-SS

CAST-IN-PLACE

RECESSED TERRACE



ALL COMPONENTS HOT DIPPED
GALVANIZED UNLESS OTHERWISE
NOTED.

G R A S P



52 Bramwin Court • Brampton, ON • L6T 5G2
T 905.792.8600 • F 905.792.8601 • TF 1.800.268.2688
www.lexcor.net • info@lexcor.net

ROOF ANCHORS

ADHESIVE

THROUGH-BOLTED

O.W.S.J.

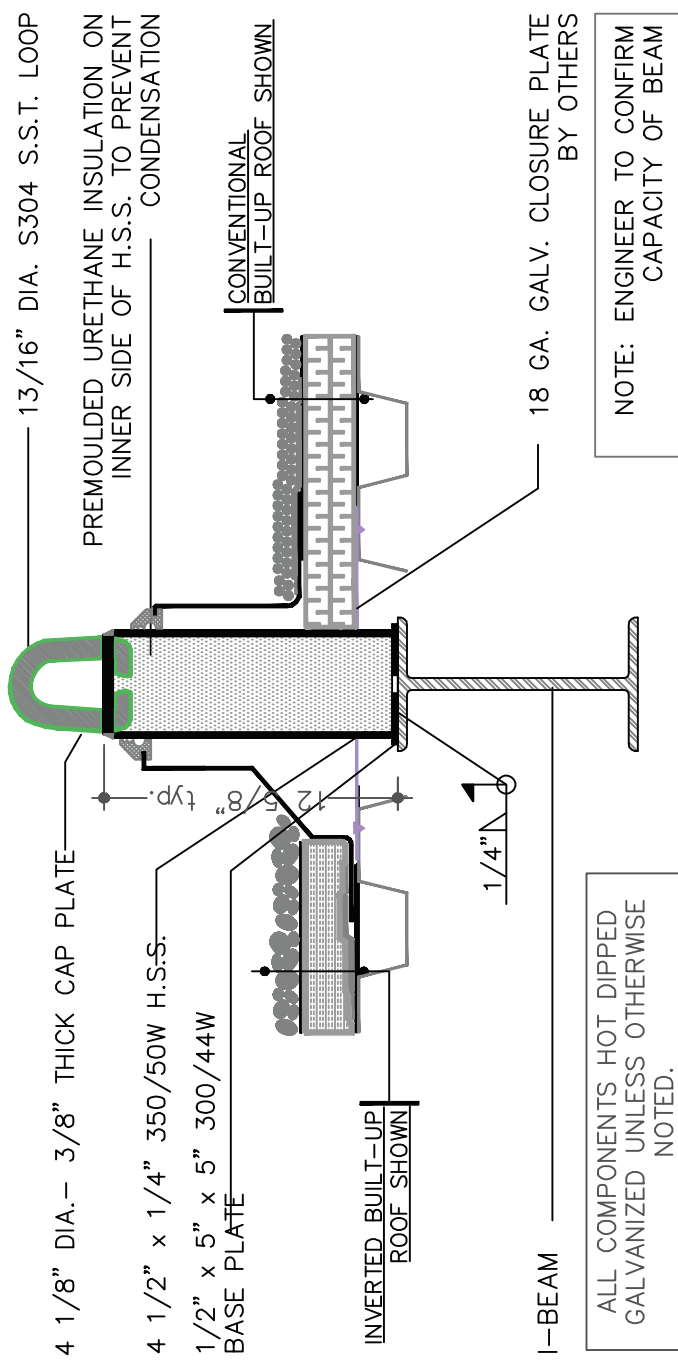
I-BEAM

WELDED
w/ BASE PLATE

SA-403
SA-403-SS
SA-403-SW
SA-403-SW-SS

CAST-IN-PLACE

RECESSED TERRACE



G R A S P

by **LEXCOR**

52 Bramwin Court • Brampton, ON • L6T 5G2
T 905.792.9800 • F 905.792.9801 • TF 1.800.268.2689
www.lexcor.net • info@lexcor.net

ROOF ANCHORS

ADHESIVE

THROUGH-BOLTED

O.W.S.J.

I-BEAM

WELDED
w/ BASE PLATE

SA-403

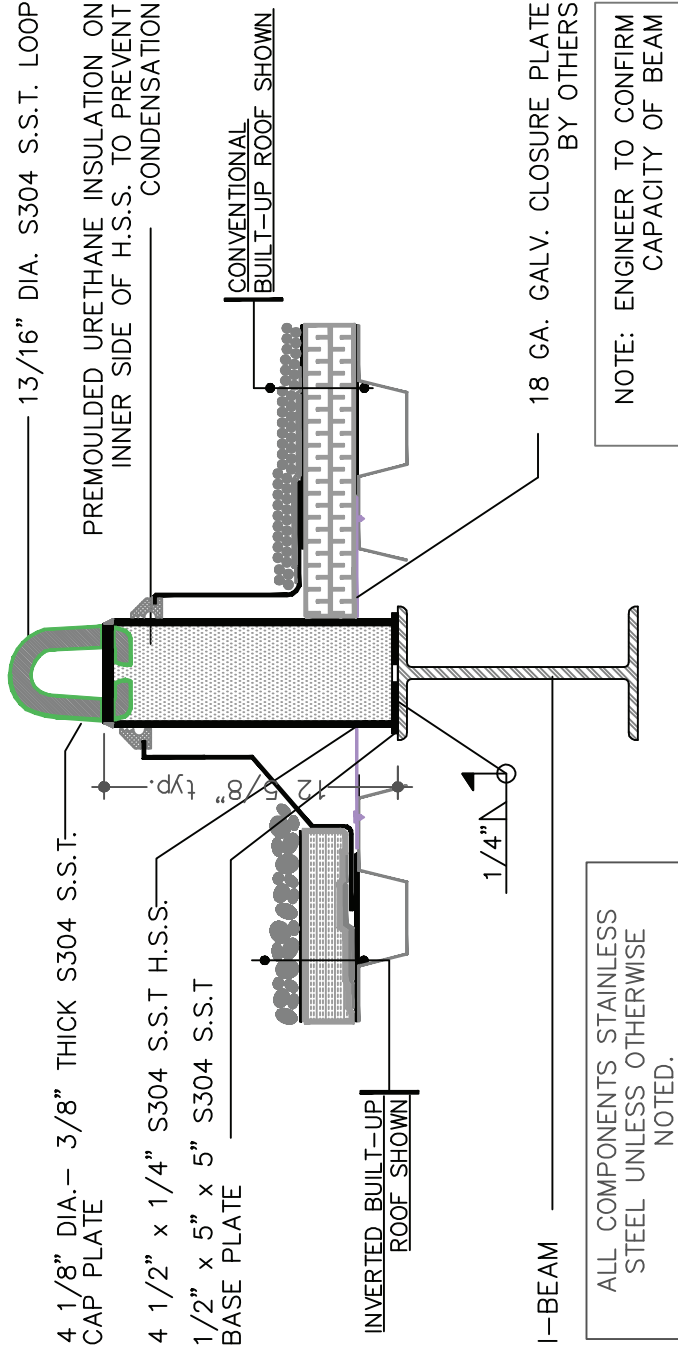
SA-403-SS

SA-403-SW

SA-403-SW-SS

CAST-IN-PLACE

RECESSED TERRACE



G R A S P



52 Bramwin Court • Brampton, ON • L6T 5G2
 T 905.792.8600 • F 905.792.8601 • TF 1.800.268.2688
 www.lexcor.net • info@lexcor.net

ROOF ANCHORS

ADHESIVE

THROUGH-BOLTED

O.W.S.J.

I-BEAM

WELDED
w/ BASE PLATE

SA-403

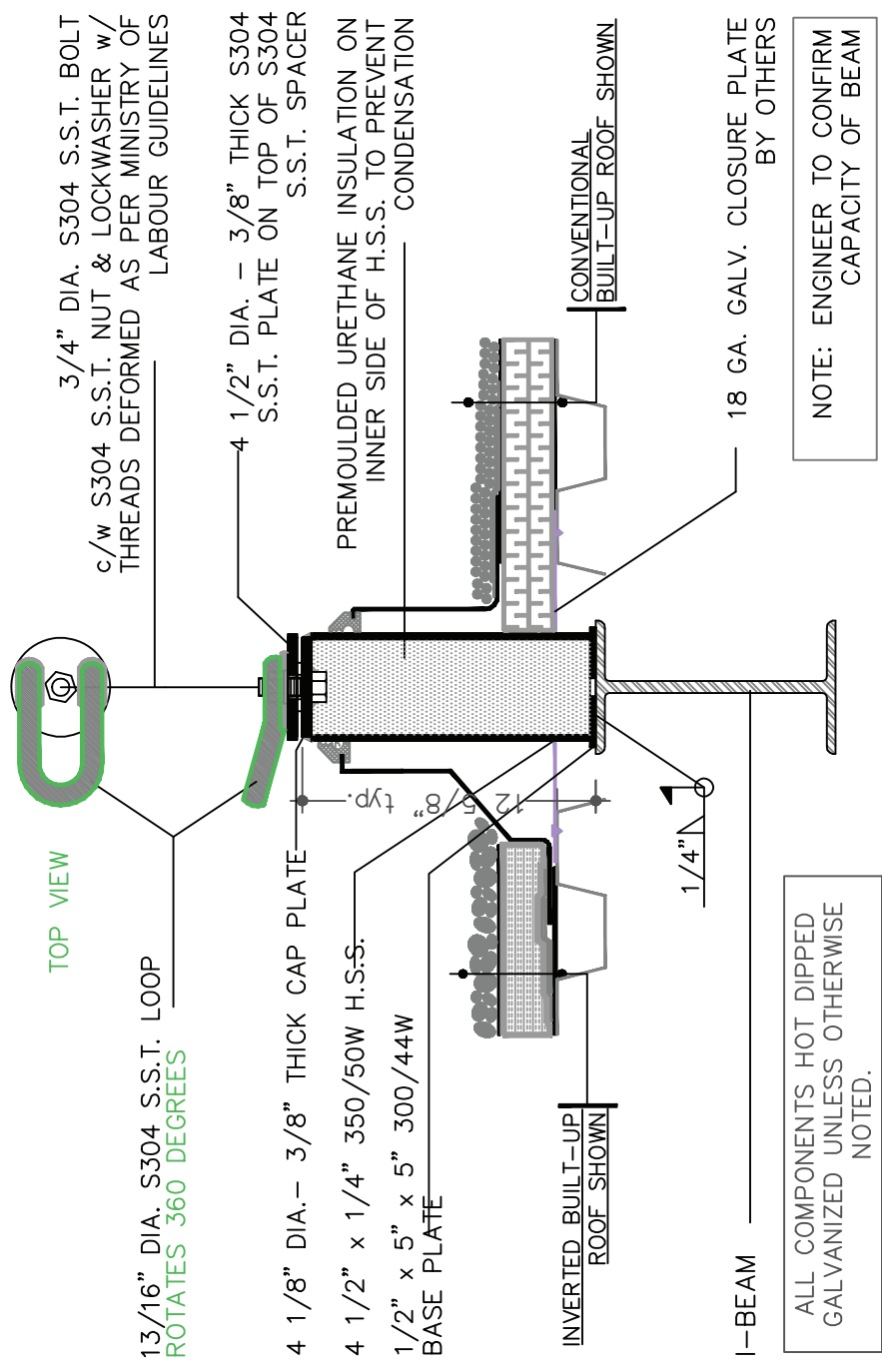
SA-403-SS

SA-403-SW

SA-403-SW-SS

CAST-IN-PLACE

RECESSED TERRACE



ALL COMPONENTS HOT DIPPED
GALVANIZED UNLESS OTHERWISE
NOTED.

NOTE: ENGINEER TO CONFIRM
CAPACITY OF BEAM

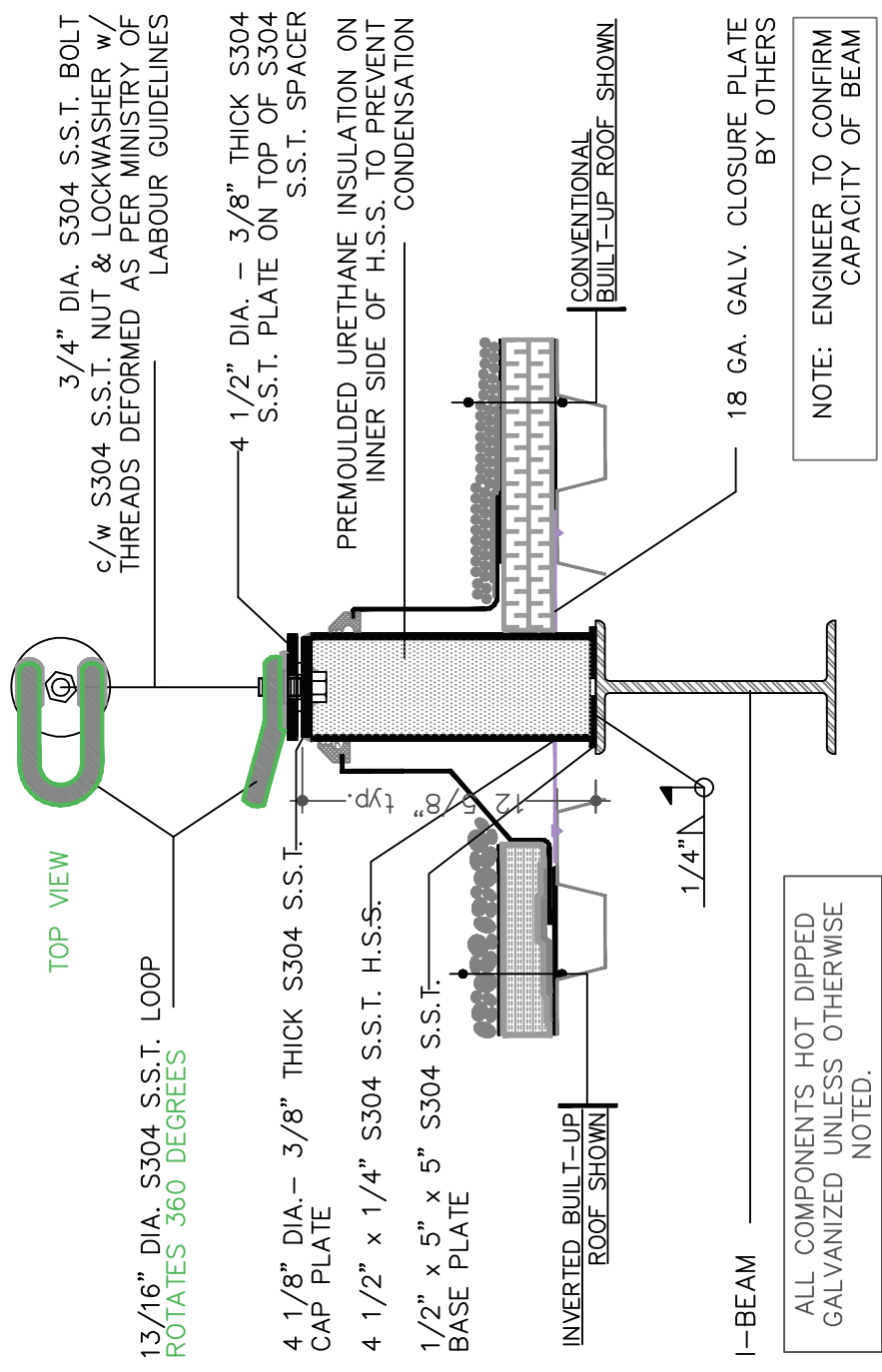
G R A S P

by **LEXCOR**

52 Bramwin Court • Brampton, ON • L6T 5G2
T 905.792.8600 • F 905.792.8601 • TF 1.800.268.2688
www.lexcor.net • info@lexcor.net

ROOF ANCHORS

- ADHESIVE
- THROUGH-BOLTED
- O.W.S.J.
- I-BEAM**
 - SA-403 WELDED w/ BASE PLATE
 - SA-403-SS
 - SA-403-SW
 - SA-403-SW-SS
- CAST-IN-PLACE
- RECESSED TERRACE



ALL COMPONENTS HOT DIPPED GALVANIZED UNLESS OTHERWISE NOTED.

NOTE: ENGINEER TO CONFIRM CAPACITY OF BEAM BY OTHERS

G R A S P

by **LEXCOR**

52 Bramwin Court • Brampton, ON • L6T 5G2
T 905.792.8600 • F 905.792.8601 • TF 1.800.268.2688
www.lexcor.net • info@lexcor.net

ROOF ANCHORS

ADHESIVE

THROUGH-BOLTED

O.W.S.J.

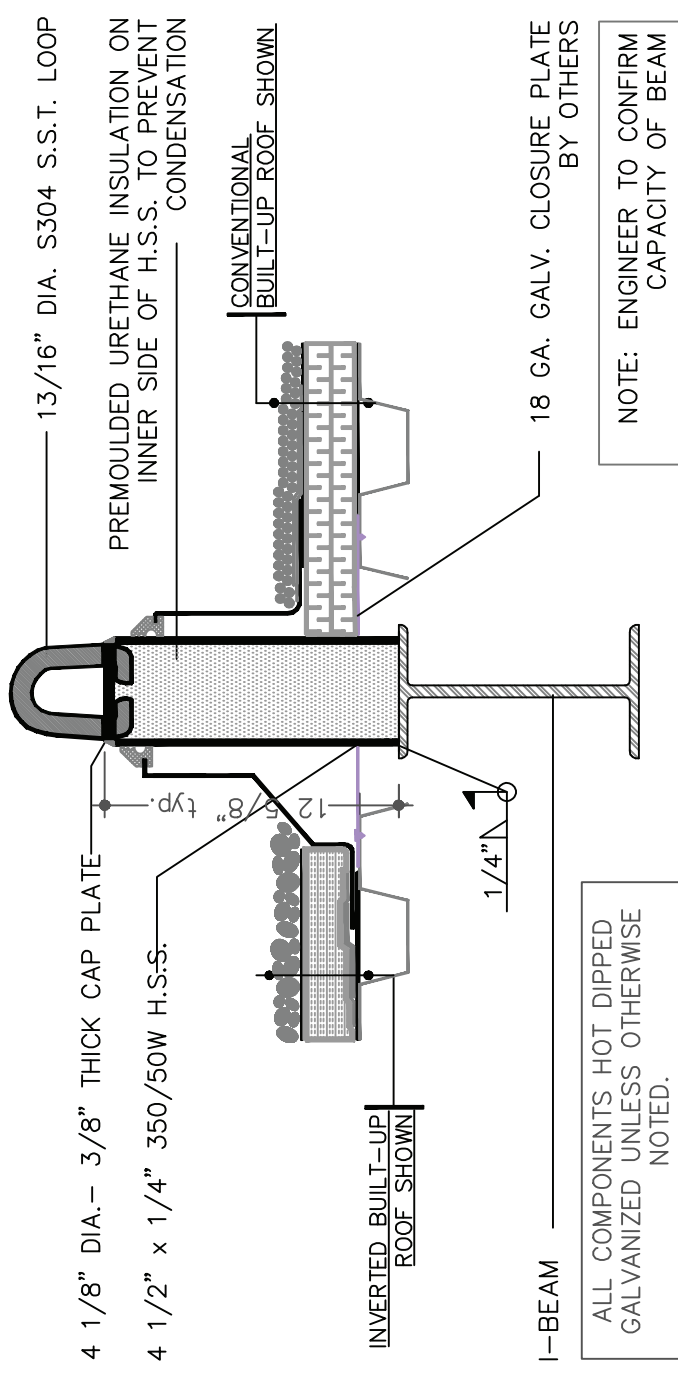
I-BEAM

WELDED
NO BASE PLATE

SA-404
SA-404-SS
SA-404-SW
SA-404-SW-SS

CAST-IN-PLACE

RECESSED TERRACE



G R A S P

by **LEXCOR**

52 Bramwin Court • Brampton, ON • L6T 5G2
 T 905.792.8800 • F 905.792.8801 • TF 1.800.288.2889
 www.lexcor.net • info@lexcor.net

ROOF ANCHORS

ADHESIVE

THROUGH-BOLTED

O.W.S.J.

I-BEAM

WELDED
NO BASE PLATE

SA-404

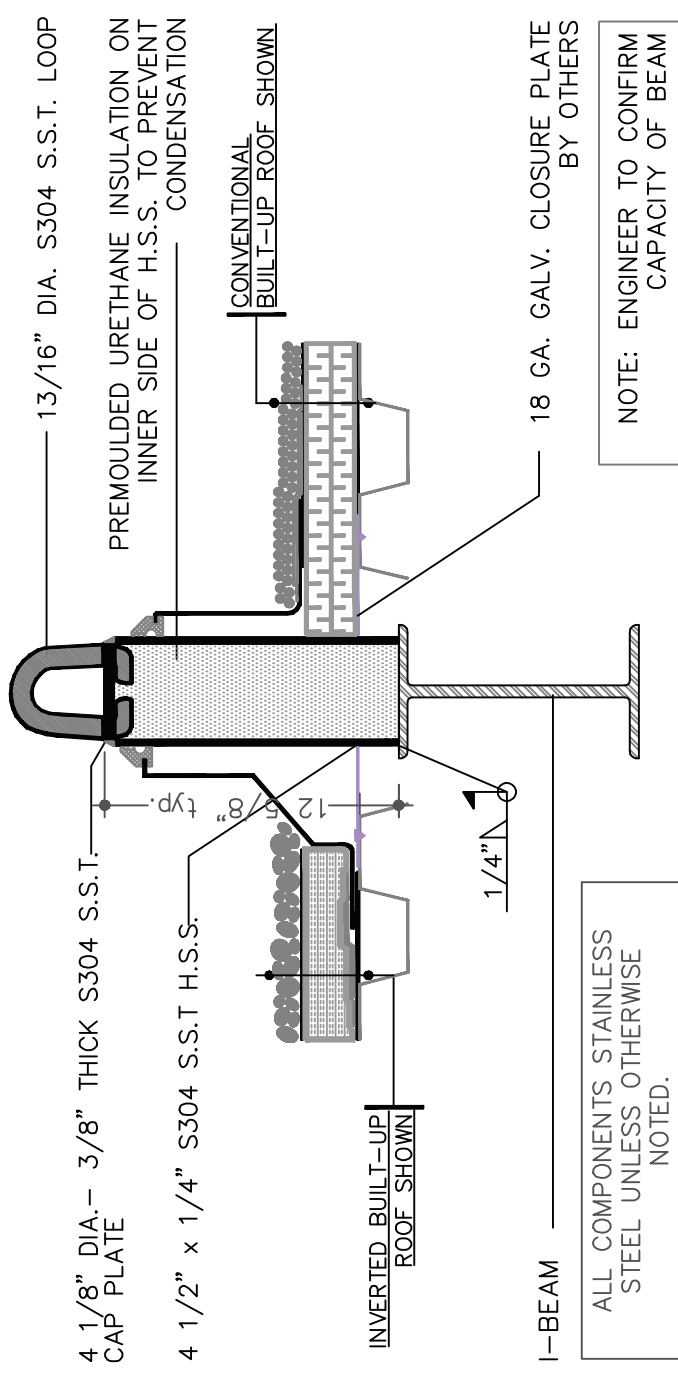
SA-404-SS

SA-404-SW

SA-404-SW-SS

CAST-IN-PLACE

RECESSED TERRACE



ALL COMPONENTS STAINLESS
STEEL UNLESS OTHERWISE
NOTED.

NOTE: ENGINEER TO CONFIRM
CAPACITY OF BEAM
BY OTHERS

G R A S P
by **LEXCOR**

52 Bramwin Court • Brampton, ON • L6T 5G2
T 905.792.8600 • F 905.792.8601 • TF 1.800.268.2688
www.lexcor.net • info@lexcor.net

ROOF ANCHORS

ADHESIVE

THROUGH-BOLTED

O.W.S.J.

I-BEAM

WELDED
NO BASE PLATE

SA-404

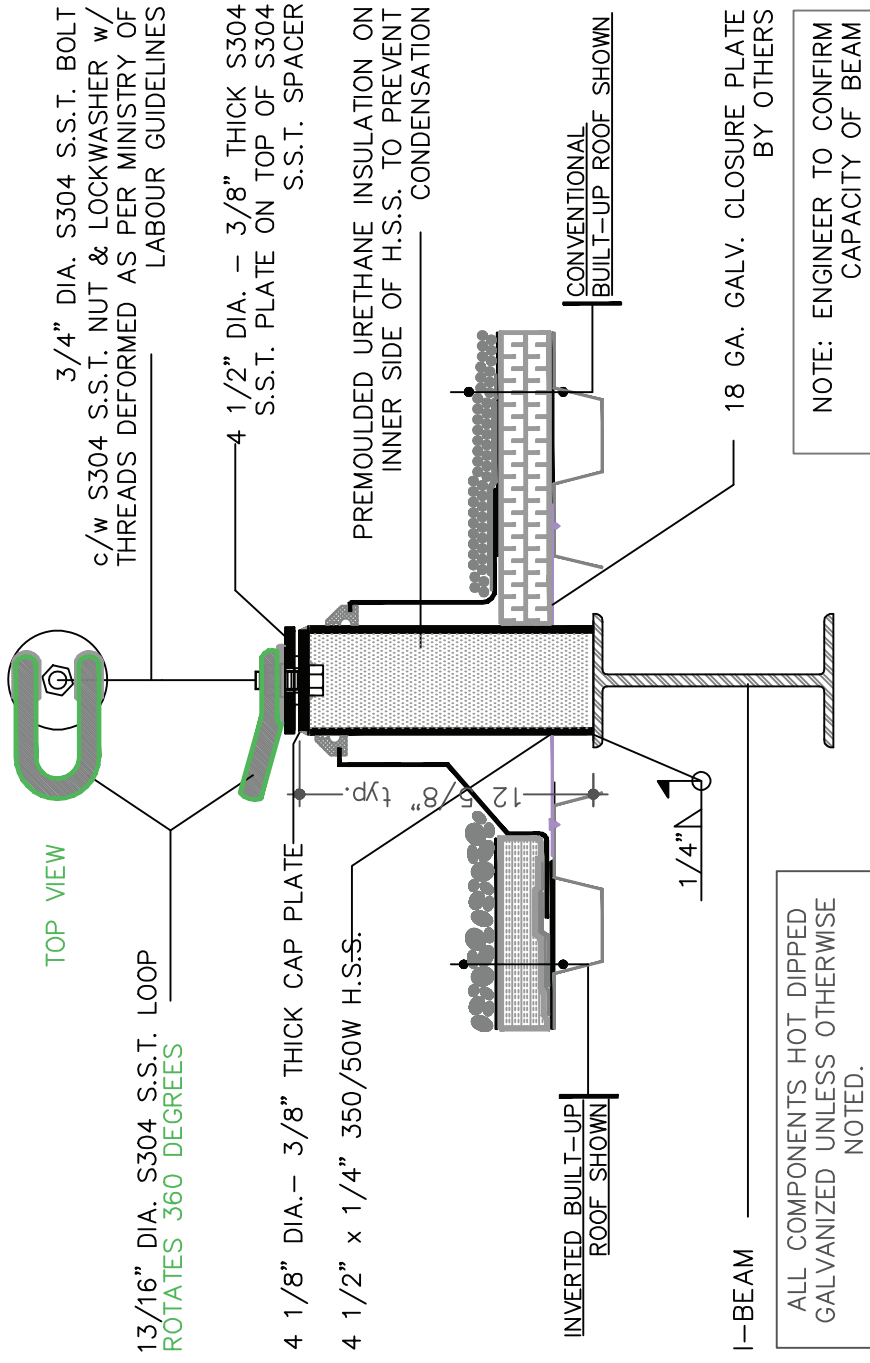
SA-404-SS

SA-404-SW

SA-404-SW-SS

CAST-IN-PLACE

RECESSED TERRACE



ALL COMPONENTS HOT DIPPED
GALVANIZED UNLESS OTHERWISE
NOTED.

NOTE: ENGINEER TO CONFIRM
CAPACITY OF BEAM
BY OTHERS

G R A S P

by **LEXCOR**

52 Bramwin Court • Brampton, ON • L6T 5G2
T 905.792.8800 • F 905.792.8801 • TF 1.800.268.2888
www.lexcor.net • info@lexcor.net

ROOF ANCHORS

ADHESIVE

THROUGH-BOLTED

O.W.S.J.

I-BEAM

WELDED
NO BASE PLATE

SA-404

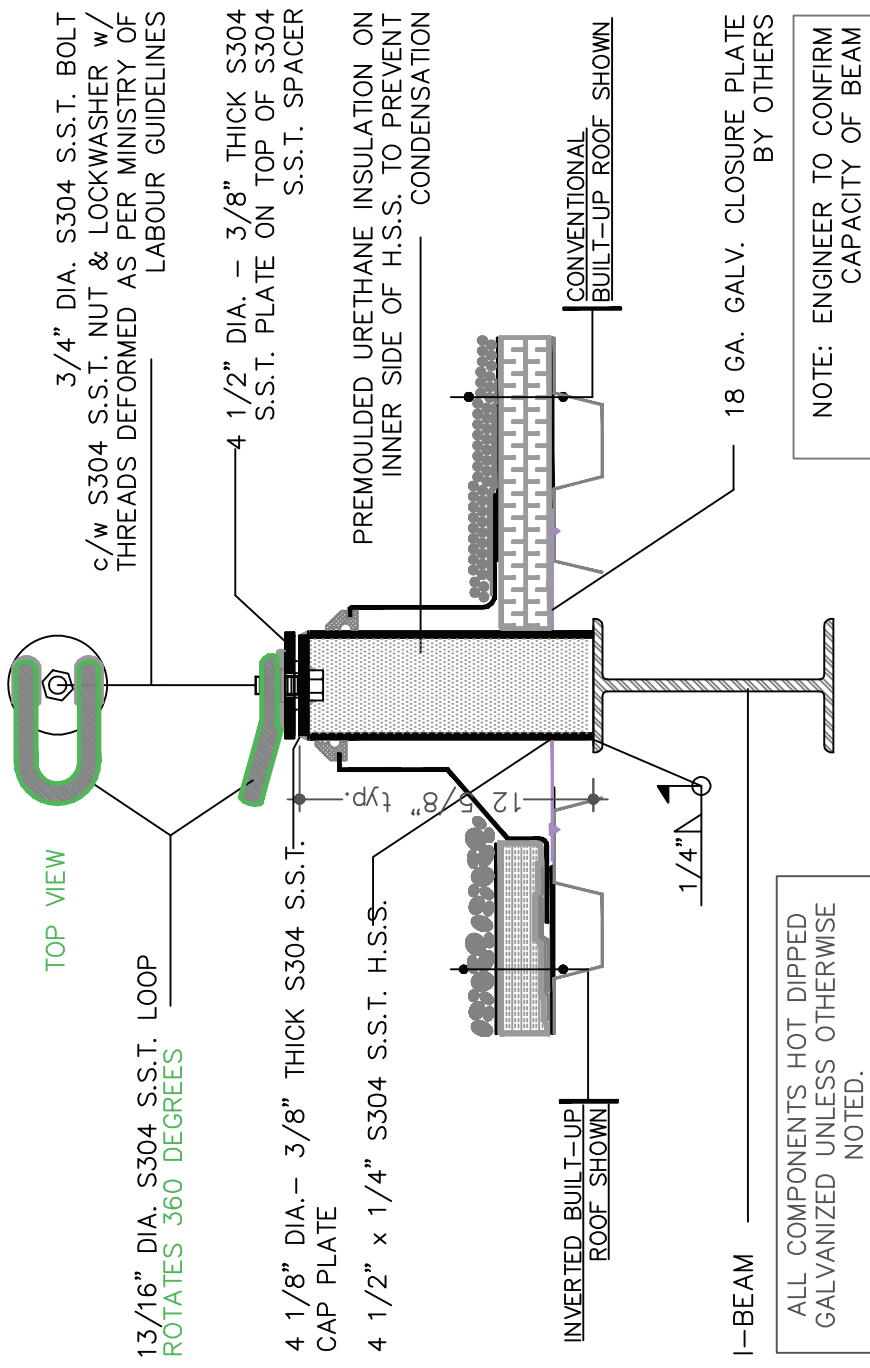
SA-404-SS

SA-404-SW

SA-404-SW-SS

CAST-IN-PLACE

RECESSED TERRACE



G R A S P

by **LEXCOR**

52 Bramwin Court • Brampton, ON • L6T 5G2
T 905.792.8600 • F 905.792.8601 • TF 1.800.268.2688
www.lexcor.net • info@lexcor.net

ROOF ANCHORS

ADHESIVE

THROUGH-BOLTED

O.W.S.J.

I-BEAM

CAST-IN-PLACE

CONCRETE

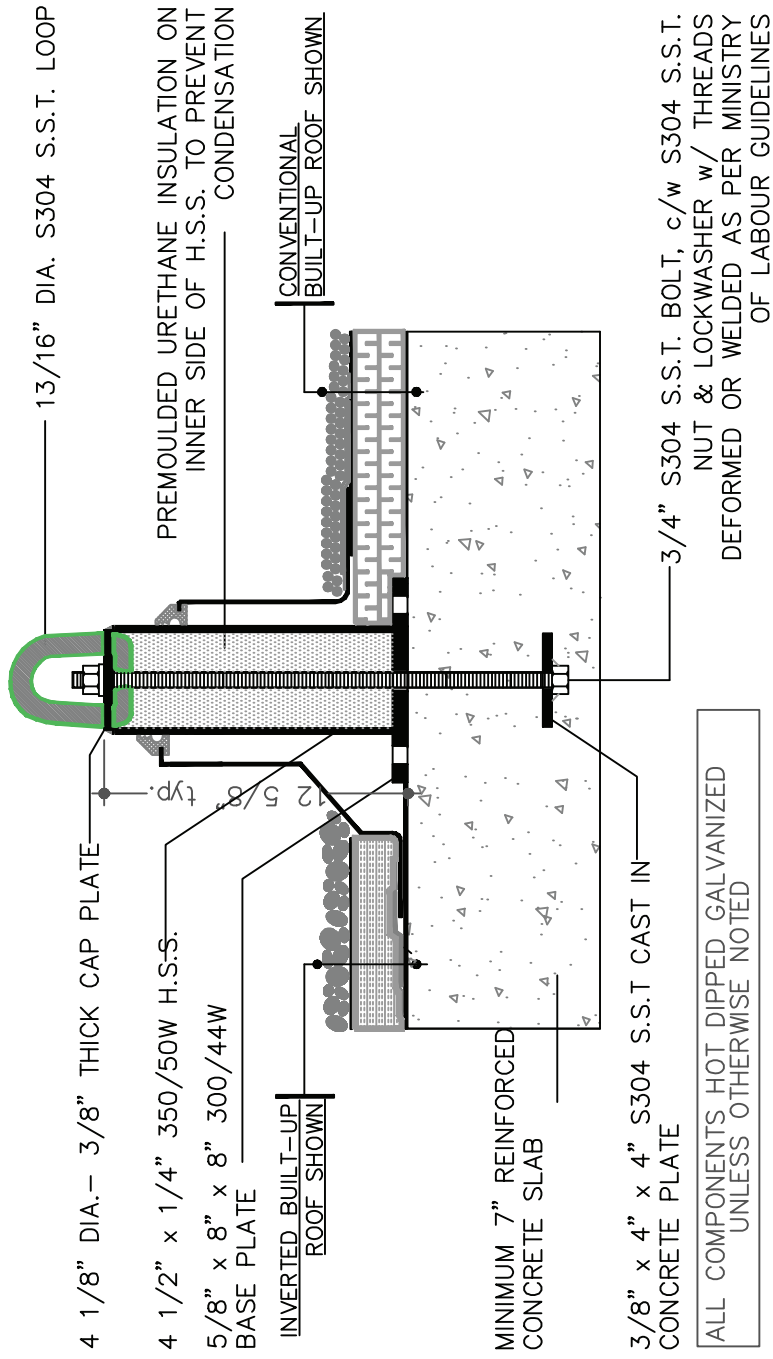
SA-501

SA-501-SS

SA-501-SW

SA-501-SW-SS

RECESSED TERRACE



ALL COMPONENTS HOT DIPPED GALVANIZED UNLESS OTHERWISE NOTED

G R A S P

by **LEXCOR**

52 Bramwin Court • Brampton, ON • L6T 5G2
 T 905.792.9800 • F 905.792.9801 • TF 1.800.268.2689
 www.lexcor.net • info@lexcor.net

ROOF ANCHORS

ADHESIVE

THROUGH-BOLTED

O.W.S.J.

I-BEAM

CAST-IN-PLACE

CONCRETE

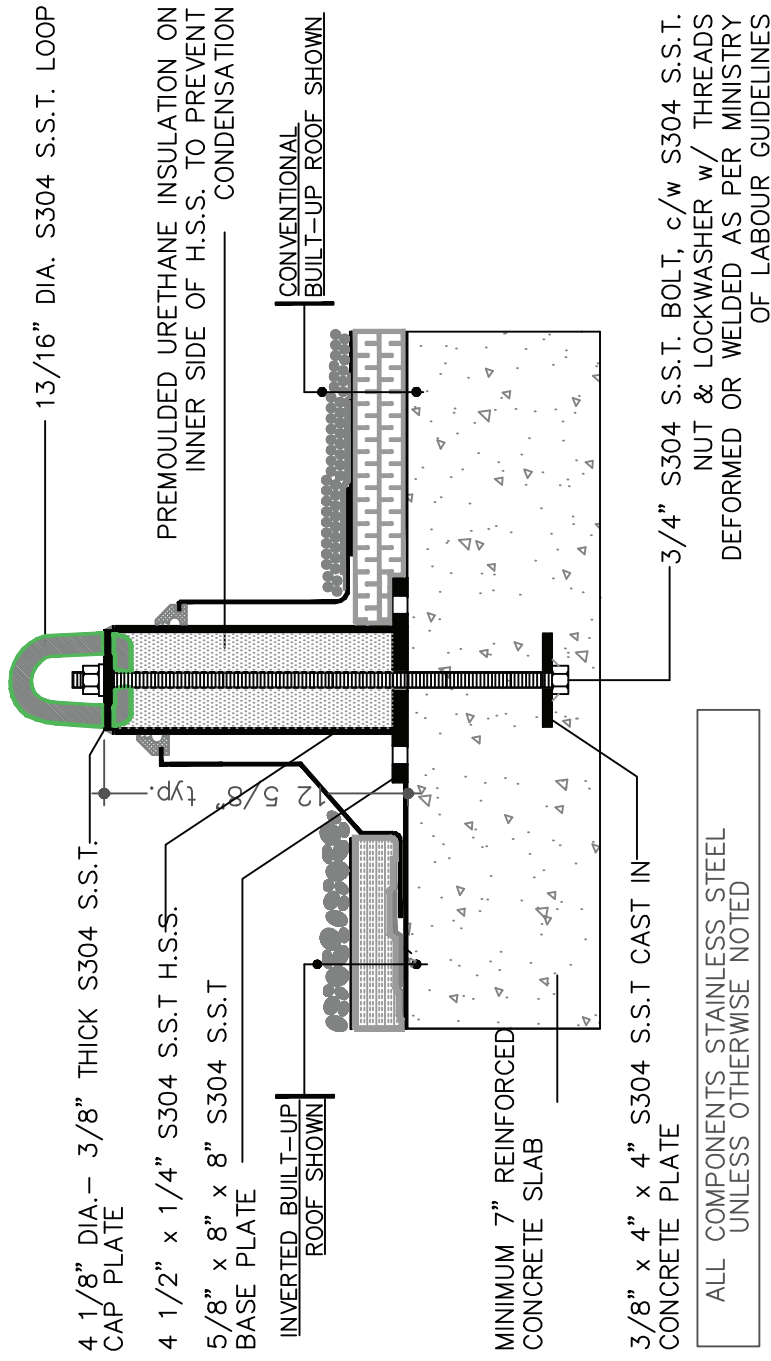
SA-501

SA-501-SS

SA-501-SW

SA-501-SW-SS

RECESSED TERRACE



G R A S P



52 Bramwin Court • Brampton, ON • L6T 5G2
 T 905.792.8600 • F 905.792.8601 • TF 1.800.268.2688
 www.lexcor.net • info@lexcor.net

ROOF ANCHORS

ADHESIVE

THROUGH-BOLTED

O.W.S.J.

I-BEAM

CAST-IN-PLACE

CONCRETE

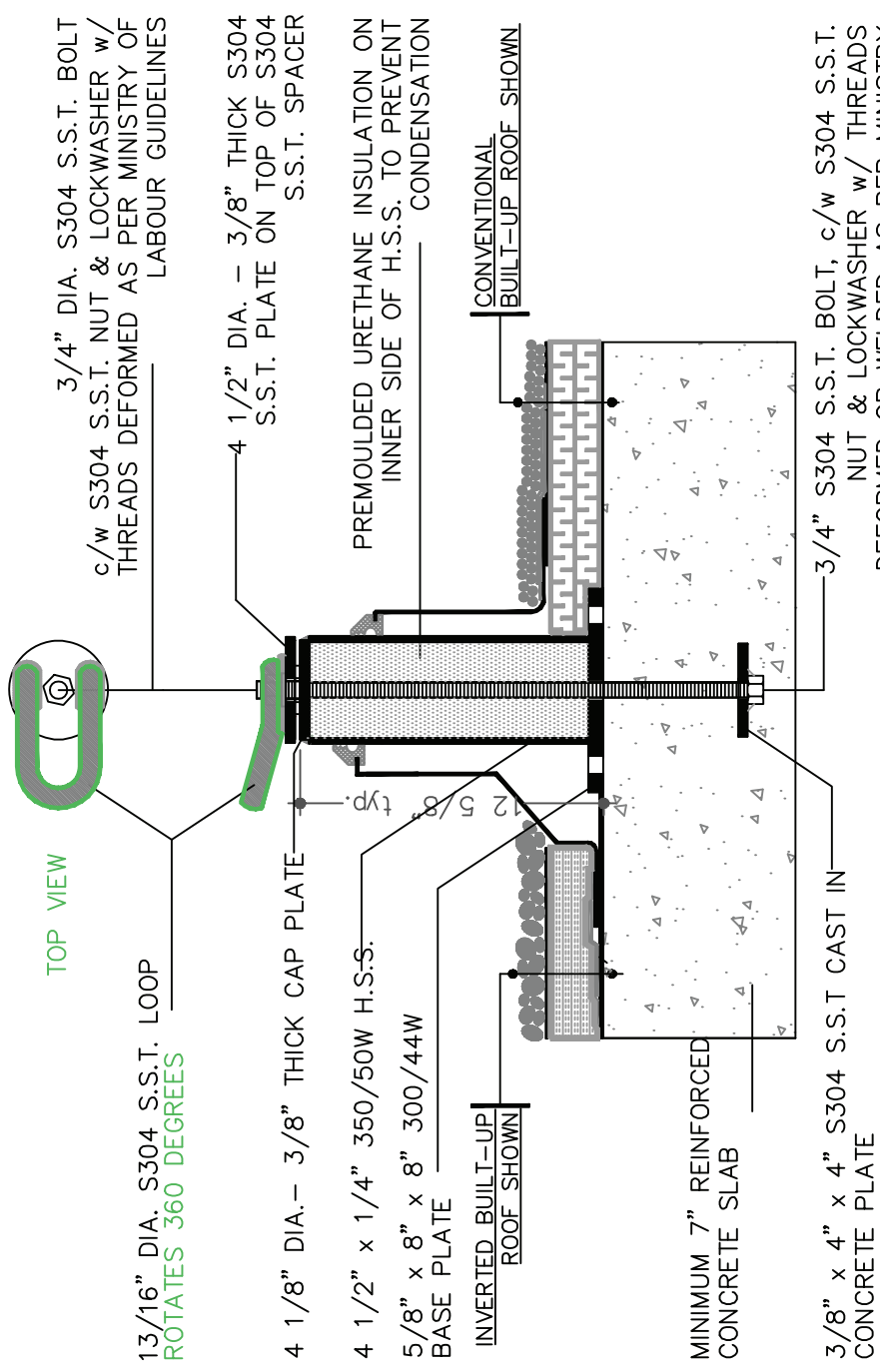
SA-501

SA-501-SS

SA-501-SW

SA-501-SW-SS

RECESSED TERRACE



ALL COMPONENTS HOT DIPPED GALVANIZED
UNLESS OTHERWISE NOTED

G R A S P

by **LEXCOR**

52 Bramwin Court • Brampton, ON • L6T 5G2
T 905.792.8600 • F 905.792.8601 • TF 1.800.268.2688
www.lexcor.net • info@lexcor.net

ROOF ANCHORS

ADHESIVE

THROUGH-BOLTED

O.W.S.J.

I-BEAM

CAST-IN-PLACE

CONCRETE

SA-501

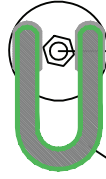
SA-501-SS

SA-501-SW

SA-501-SW-SS

RECESSED TERRACE

TOP VIEW



13/16" DIA. S304 S.S.T. LOOP
ROTATES 360 DEGREES

3/4" DIA. S304 S.S.T. BOLT
c/w S304 S.S.T. NUT & LOCKWASHER w/
THREADS DEFORMED AS PER MINISTRY OF
LABOUR GUIDELINES

4 1/2" DIA. - 3/8" THICK S304
S.S.T. PLATE ON TOP OF S304
S.S.T. SPACER

4 1/8" DIA. - 3/8" THICK S304 S.S.T.
CAP PLATE

4 1/2" x 1/4" S304 S.S.T. H.S.S.
5/8" x 8" x 8" S304 S.S.T.
BASE PLATE

PREMOULDED URETHANE INSULATION ON
INNER SIDE OF H.S.S. TO PREVENT
CONDENSATION

CONVENTIONAL
BUILT-UP ROOF SHOWN

INVERTED BUILT-UP
ROOF SHOWN

MINIMUM 7" REINFORCED
CONCRETE SLAB

3/8" x 4" x 4" S304 S.S.T. CAST IN
CONCRETE PLATE

3/4" S304 S.S.T. BOLT, c/w S304 S.S.T.
NUT & LOCKWASHER w/ THREADS
DEFORMED OR WELDED AS PER MINISTRY
OF LABOUR GUIDELINES

ALL COMPONENTS HOT DIPPED GALVANIZED
UNLESS OTHERWISE NOTED

G R A S P



52 Bramwin Court • Brampton, ON • L6T 5G2
T 905.792.8600 • F 905.792.8601 • TF 1.800.268.2688
www.lexcor.net • info@lexcor.net

ROOF ANCHORS

ADHESIVE

THROUGH-BOLTED

O.W.S.J.

I-BEAM

CAST-IN-PLACE

PRECAST

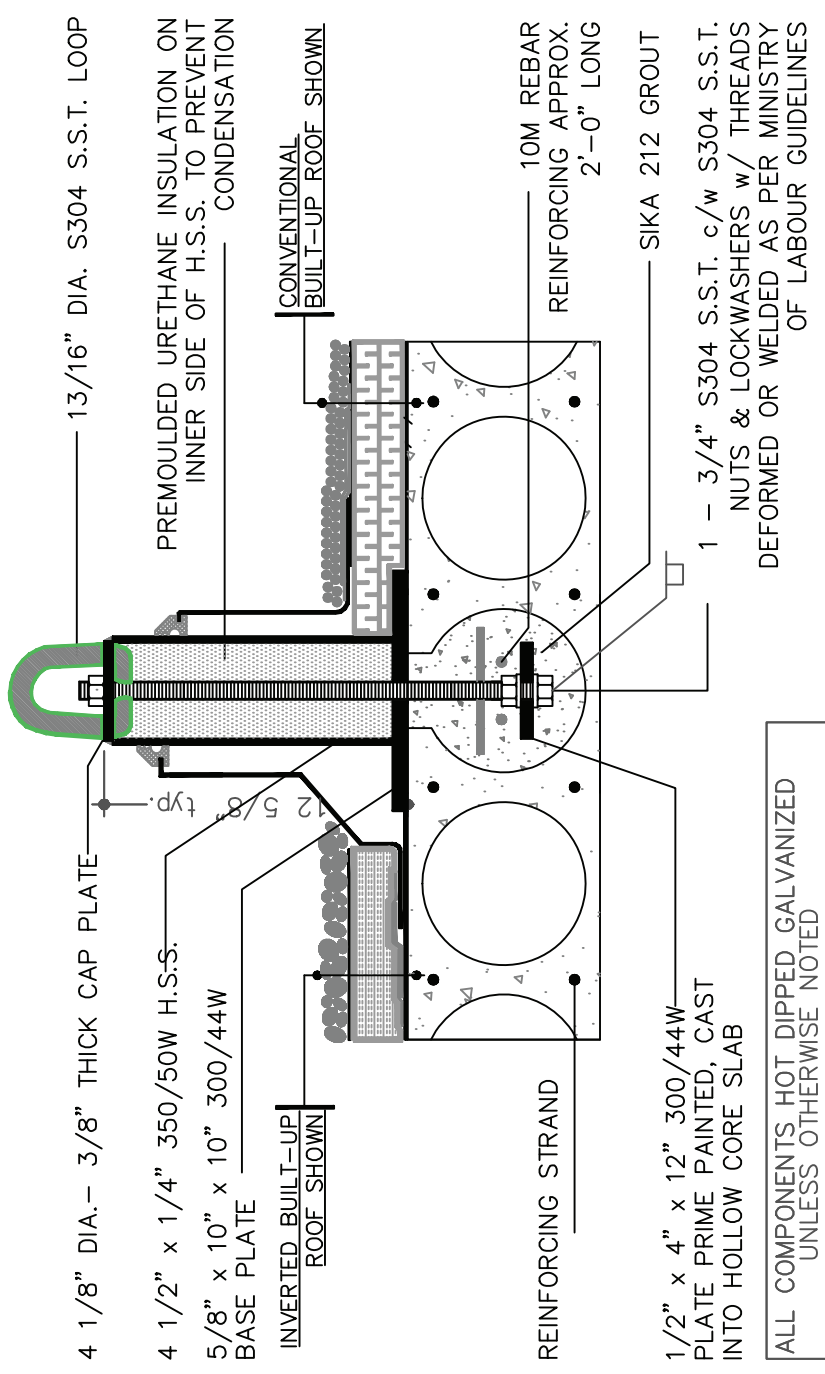
SA-502

SA-502-SS

SA-502-SW

SA-502-SW-SS

RECESSED TERRACE



ALL COMPONENTS HOT DIPPED GALVANIZED UNLESS OTHERWISE NOTED



52 Bramwin Court • Brampton, ON • L6T 5G2
 T 905.792.9800 • F 905.792.9801 • TF 1.800.268.2689
 www.lexcor.net • info@lexcor.net

ROOF ANCHORS

ADHESIVE

THROUGH-BOLTED

O.W.S.J.

I-BEAM

CAST-IN-PLACE

PRECAST

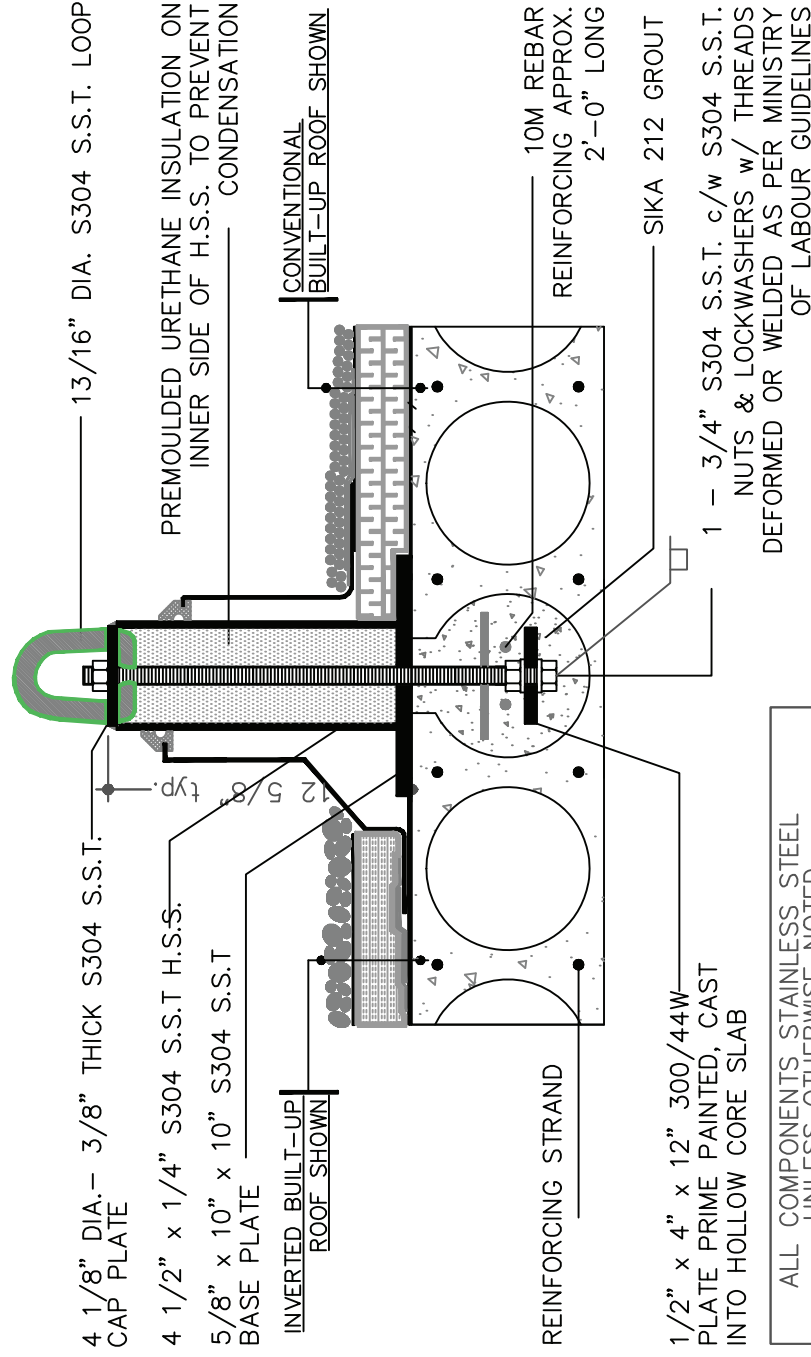
SA-502

SA-502-SS

SA-502-SW

SA-502-SW-SS

RECESSED TERRACE



G R A S P



52 Bramwin Court • Brampton, ON • L6T 5G2
 T 905.792.8600 • F 905.792.8601 • TF 1.800.268.2688
 www.lexcor.net • info@lexcor.net

ROOF ANCHORS

ADHESIVE

THROUGH-BOLTED

O.W.S.J.

I-BEAM

CAST-IN-PLACE

PRECAST

SA-502

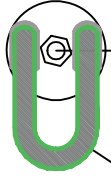
SA-502-SS

SA-502-SW

SA-502-SW-SS

RECESSED TERRACE

TOP VIEW



3/4" DIA. S304 S.S.T. BOLT
c/w S304 S.S.T. NUT & LOCKWASHER w/
THREADS DEFORMED AS PER MINISTRY OF
LABOUR GUIDELINES

13/16" DIA. S304 S.S.T. LOOP
ROTATES 360 DEGREES

4 1/2" DIA. - 3/8" THICK S304
S.S.T. PLATE ON TOP OF S304
S.S.T. SPACER

4 1/8" DIA. - 3/8" THICK CAP PLATE

4 1/2" x 1/4" 350/50W H.S.S.

5/8" x 10" x 10" 300/44W
BASE PLATE

PREMOULDED URETHANE INSULATION ON
INNER SIDE OF H.S.S. TO PREVENT
CONDENSATION

CONVENTIONAL
BUILT-UP ROOF SHOWN

INVERTED BUILT-UP
ROOF SHOWN

10M REBAR
REINFORCING APPROX.
2'-0" LONG

REINFORCING STRAND

SIKA 212 GROUT

1 - 3/4" S304 S.S.T. c/w S304 S.S.T.
NUTS & LOCKWASHERS w/ THREADS
DEFORMED OR WELDED AS PER MINISTRY
OF LABOUR GUIDELINES

1/2" x 4" x 12" 300/44W
PLATE PRIME PAINTED, CAST
INTO HOLLOW CORE SLAB

ALL COMPONENTS HOT DIPPED GALVANIZED
UNLESS OTHERWISE NOTED

G R A S P



52 Bramwin Court • Brampton, ON • L6T 5G2
T 905.792.8600 • F 905.792.8601 • TF 1.800.268.2688
www.lexcor.net • info@lexcor.net

ROOF ANCHORS

ADHESIVE

THROUGH-BOLTED

O.W.S.J.

I-BEAM

CAST-IN-PLACE

PRECAST

SA-502

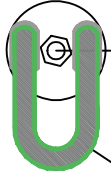
SA-502-SS

SA-502-SW

SA-502-SW-SS

RECESSED TERRACE

TOP VIEW



13/16" DIA. S304 S.S.T. LOOP
ROTATES 360 DEGREES

3/4" DIA. S304 S.S.T. BOLT
c/w S304 S.S.T. NUT & LOCKWASHER w/
THREADS DEFORMED AS PER MINISTRY OF
LABOUR GUIDELINES

4 1/2" DIA. - 3/8" THICK S304
S.S.T. PLATE ON TOP OF S304
S.S.T. SPACER

PREMOULDED URETHANE INSULATION ON
INNER SIDE OF H.S.S. TO PREVENT
CONDENSATION

4 1/8" DIA. - 3/8" THICK S304 S.S.T.
CAP PLATE

4 1/2" x 1/4" S304 S.S.T. H.S.S.

5/8" x 10" x 10" S304 S.S.T.
BASE PLATE

CONVENTIONAL
BUILT-UP ROOF SHOWN

INVERTED BUILT-UP
ROOF SHOWN

10M REBAR
REINFORCING APPROX.
2'-0" LONG

REINFORCING STRAND

SIKA 212 GROUT

1 - 3/4" S304 S.S.T. c/w S304 S.S.T.
NUTS & LOCKWASHERS w/ THREADS
DEFORMED OR WELDED AS PER MINISTRY
OF LABOUR GUIDELINES

1/2" x 4" x 12" 300/44W
PLATE PRIME PAINTED, CAST
INTO HOLLOW CORE SLAB

ALL COMPONENTS HOT DIPPED GALVANIZED
UNLESS OTHERWISE NOTED

G R A S P



52 Bramwin Court • Brampton, ON • L6T 5G2
T 905.792.8600 • F 905.792.8601 • TF 1.800.268.2688
www.lexcor.net • info@lexcor.net

ROOF ANCHORS

ADHESIVE

THROUGH-BOLTED

O.W.S.J.

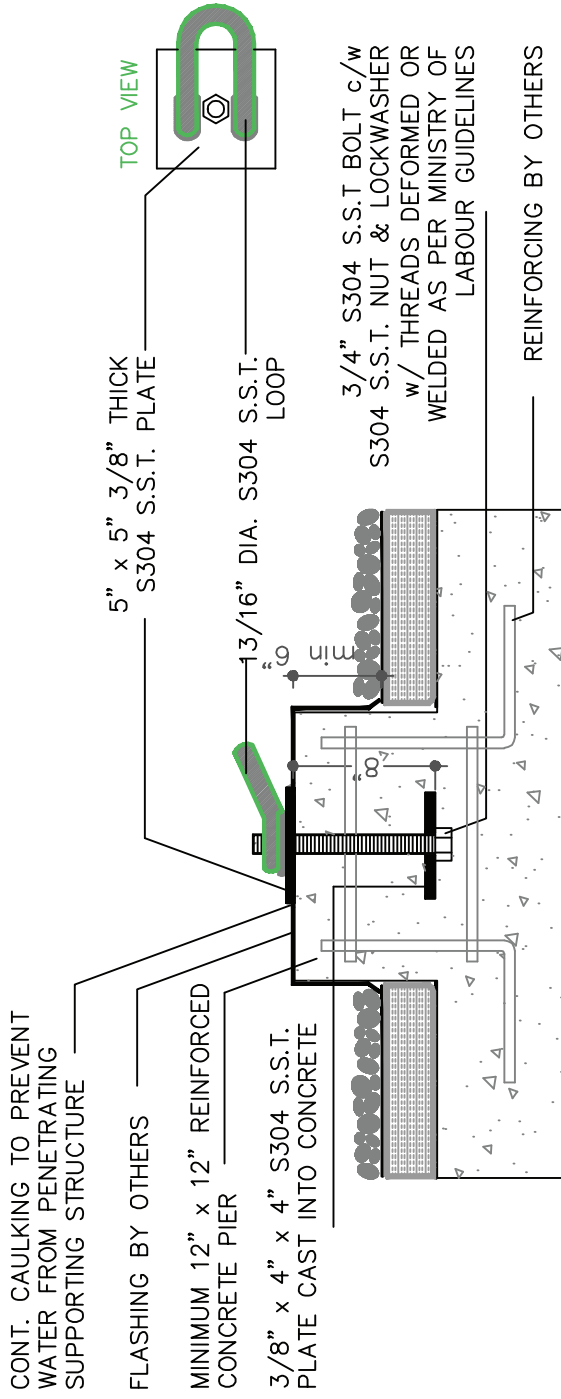
I-BEAM

CAST-IN-PLACE

PIER

SA-503

RECESSED TERRACE



G R A S P

by **LEXCOR**

52 Bramwin Court • Brampton, ON • L1T 5G2
 T 905.792.8800 • F 905.792.8801 • TF 1.800.288.2889
 www.lexcor.net • Info@lexcor.net

ROOF ANCHORS

ADHESIVE

THROUGH-BOLTED

O.W.S.J.

I-BEAM

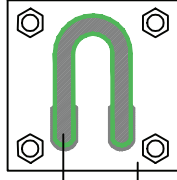
CAST-IN-PLACE

RECESSED TERRACE

ADHESIVE

SA-601

TOP VIEW

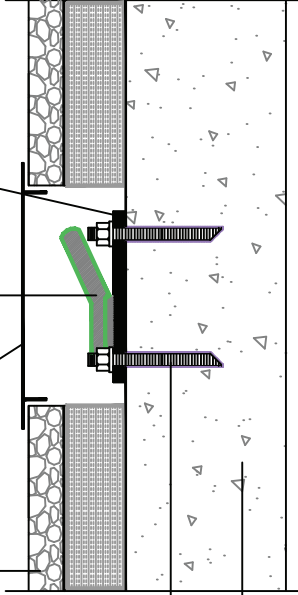


13/16" S304 S.S.T. LOOP
8" x 8" x 3/8" S304
S.S.T. PLATE

S.S.T. COVER PLATE
PATIO STONE

4- 5/8" DIA. S304 S.S.T. RODS SET IN HILTI HVU EPOXY, MIN 5" EMBEDMENT C/W S304 S.S.T. NUTS & LOCKWASHERS W/ THREADS DEFORMED AS PER MINISTRY OF LABOUR GUIDELINES

MINIMUM 7" REINFORCED CONCRETE



G R A S P
by **LEXCOR**

52 Bramwin Court • Brampton, ON • L1T 5G2
T 905.792.8800 • F 905.792.8801 • TF 1.800.288.2889
www.lexcor.net • Info@lexcor.net

ROOF ANCHORS

ADHESIVE

THROUGH-BOLTED

O.W.S.J.

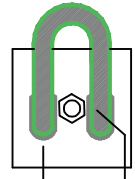
I-BEAM

CAST-IN-PLACE

**RECESSED TERRACE
CAST-IN-PLACE**

→ SA-602

TOP VIEW



5" x 5" 3/8" THICK
S304 S.S.T. PLATE

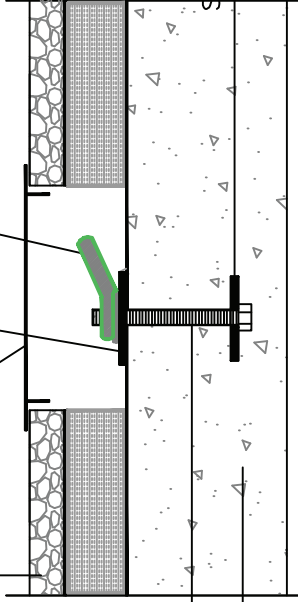
13/16" S304 S.S.T.
LOOP

S.S.T. COVER PLATE

PATIO STONE

3/4" S304 S.S.T BOLT
c/w S304 S.S.T. NUT &
LOCKWASHER w/ THREADS
DEFORMED OR WELDED AS
PER MINISTRY OF LABOUR
GUIDELINES

MINIMUM 7" REINFORCED
CONCRETE



3/8" x 4" x 4" S304
S.S.T. PLATE CAST INTO
CONCRETE

G R A S P
by **LEXCOR**

52 Bramwin Court • Brampton, ON • L6T 5G2
T 905.792.8800 • F 905.792.8801 • TF 1.800.268.2888
www.lexcor.net • info@lexcor.net

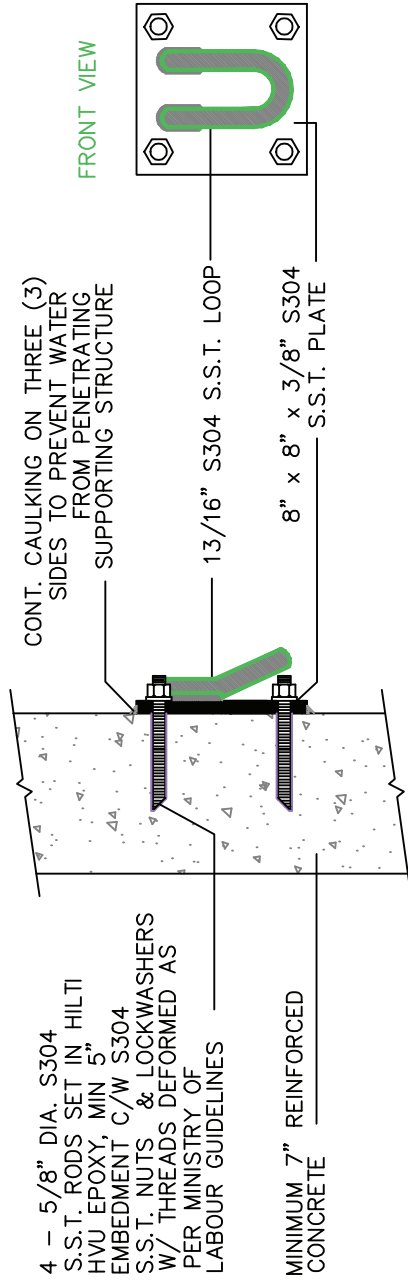
WALL ANCHORS

ADHESIVE

SA-41

THROUGH-BOLTED

CAST-IN-PLACE



G R A S P

by **LEXCOR**

52 Bramwin Court • Brampton, ON • L6T 5G2
T 905.792.8600 • F 905.792.8601 • TF 1.800.268.2688
www.lexcor.net • info@lexcor.net

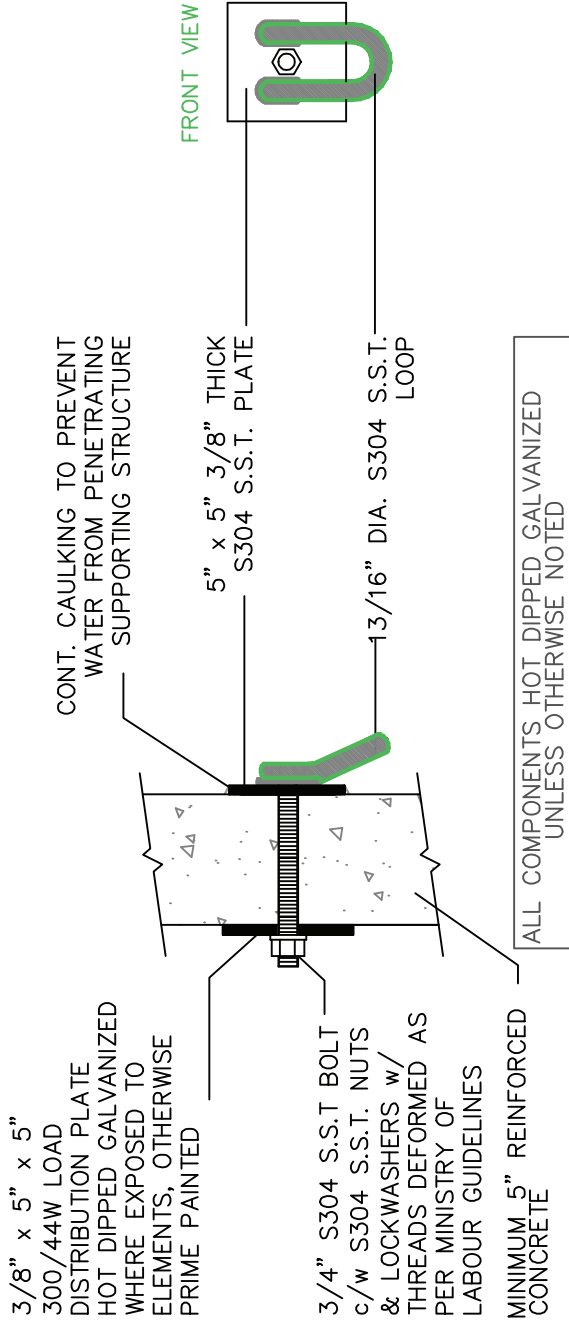
WALL ANCHORS

ADHESIVE

THROUGH-BOLTED
CONCRETE

SA-51

CAST-IN-PLACE



G R A S P

by **LEXCOR**

52 Bramwin Court • Brampton, ON • L6T 5G2
T 905.792.8800 • F 905.792.8801 • TF 1.800.268.2889
www.lexcor.net • info@lexcor.net

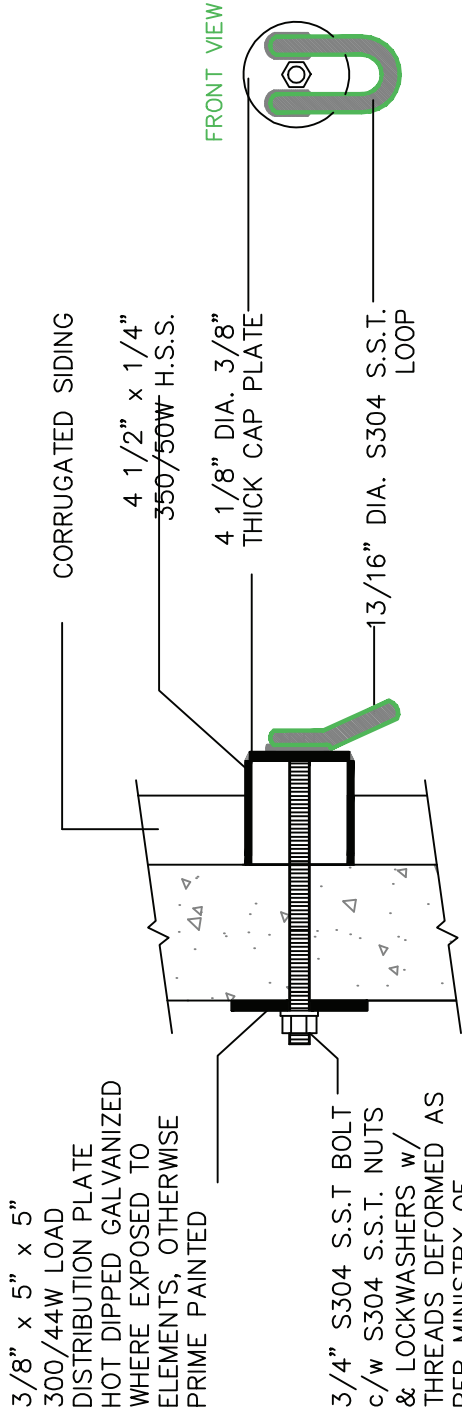
WALL ANCHORS

ADHESIVE

THROUGH-BOLTED
CONCRETE - EXTENSION

SA-52
SA-52-SS

CAST-IN-PLACE



ALL COMPONENTS HOT DIPPED GALVANIZED
UNLESS OTHERWISE NOTED

G R A S P



52 Bramwin Court • Brampton, ON • L6T 5G2
T 905.792.8800 • F 905.792.8801 • TF 1.800.268.2888
www.lexcor.net • info@lexcor.net

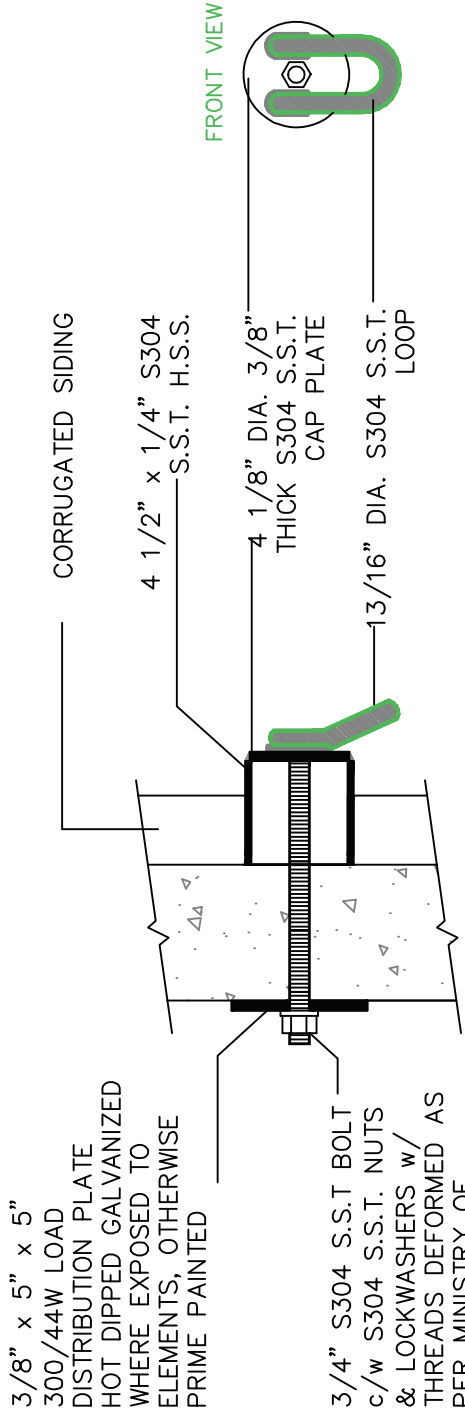
WALL ANCHORS

ADHESIVE

THROUGH-BOLTED
CONCRETE - EXTENSION

SA-52
SA-52-SS

CAST-IN-PLACE



ALL COMPONENTS STAINLESS STEEL
UNLESS OTHERWISE NOTED

G R A S P
by **LEXCOR**

52 Bramwin Court • Brampton, ON • L6T 5G2
T 905.792.8800 • F 905.792.8801 • TF 1.800.288.2888
www.lexcor.net • info@lexcor.net

WALL ANCHORS

ADHESIVE

THROUGH-BOLTED

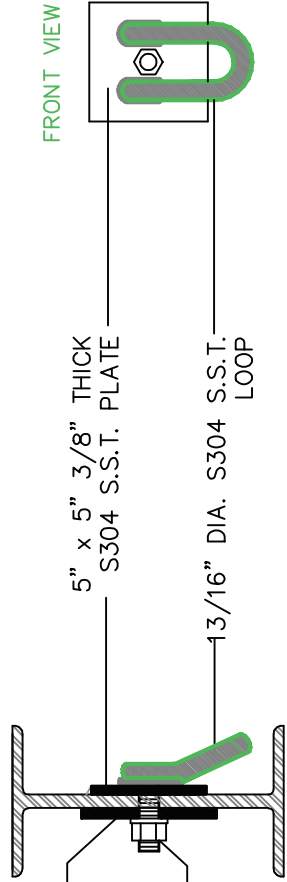
I-BEAM

SA-53

CAST-IN-PLACE

NOTE: ENGINEER TO CONFIRM CAPACITY OF BEAM

3/8" x 5" x 5"
300/44W LOAD
DISTRIBUTION PLATE
HOT DIPPED GALVANIZED
WHERE EXPOSED TO
ELEMENTS, OTHERWISE
PRIME PAINTED



5" x 5" 3/8" THICK
S304 S.S.T. PLATE

3/4" S304 S.S.T BOLT
c/w S304 S.S.T. NUTS
& LOCKWASHERS w/
THREADS DEFORMED AS
PER MINISTRY OF
LABOUR GUIDELINES

13/16" DIA. S304 S.S.T.
LOOP

G R A S P
by **LEXCOR**

52 Bramwin Court • Brampton, ON • L6T 5G2
T 905.792.8800 • F 905.792.8801 • TF 1.800.268.2888
www.lexcor.net • info@lexcor.net

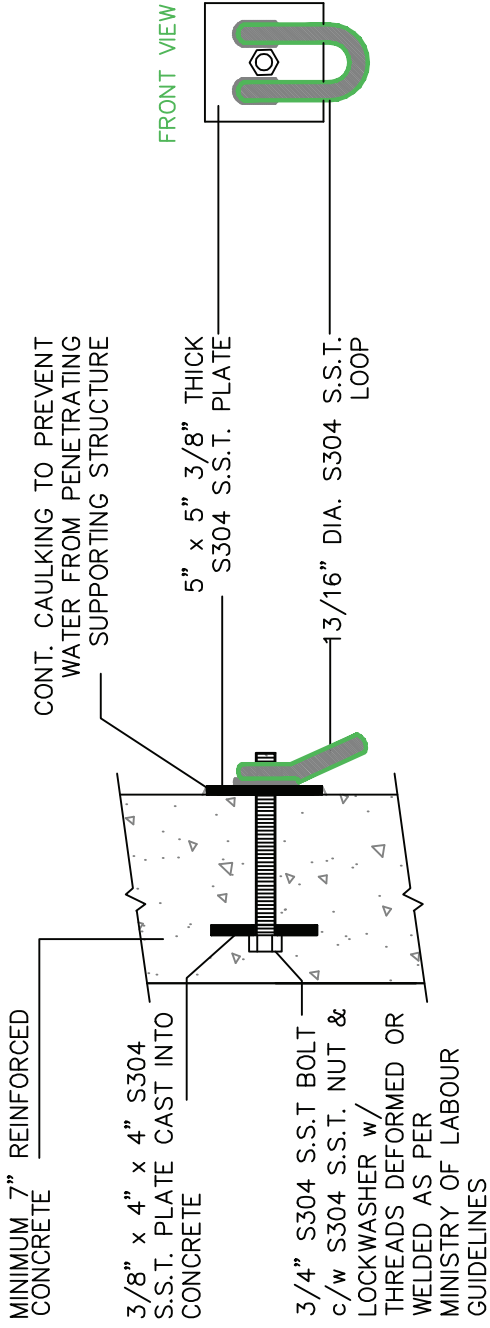
WALL ANCHORS

ADHESIVE

THROUGH-BOLTED

CAST-IN-PLACE

SA-61



ALL COMPONENTS HOT DIPPED GALVANIZED UNLESS OTHERWISE NOTED

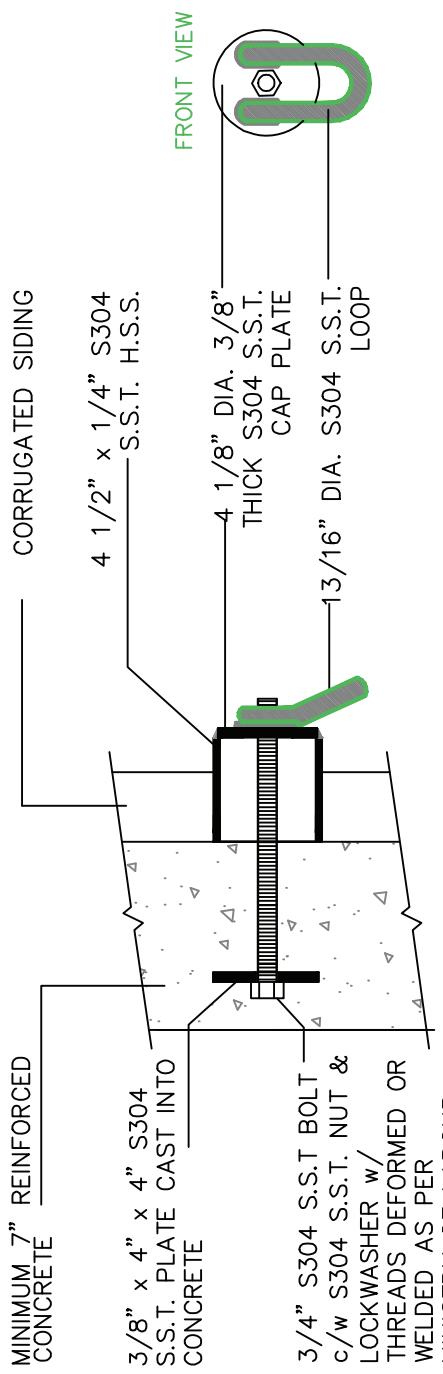
G R A S P

by **LEXCOR**

52 Bramwin Court • Brampton, ON • L6T 5G2
T 905.792.8800 • F 905.792.8601 • TF 1.800.288.2889
www.lexcor.net • info@lexcor.net

WALL ANCHORS

- ADHESIVE
- THROUGH-BOLTED
- CAST-IN-PLACE EXTENSION**
 - SA-62
 - SA-62-SS



ALL COMPONENTS STAINLESS STEEL UNLESS OTHERWISE NOTED

G R A S P

by **LEXCOR**

52 Bramwin Court • Brampton, ON • L6T 5G2
 T 905.792.8600 • F 905.792.8601 • TF 1.800.268.2688
 www.lexcor.net • info@lexcor.net

WALL ANCHORS

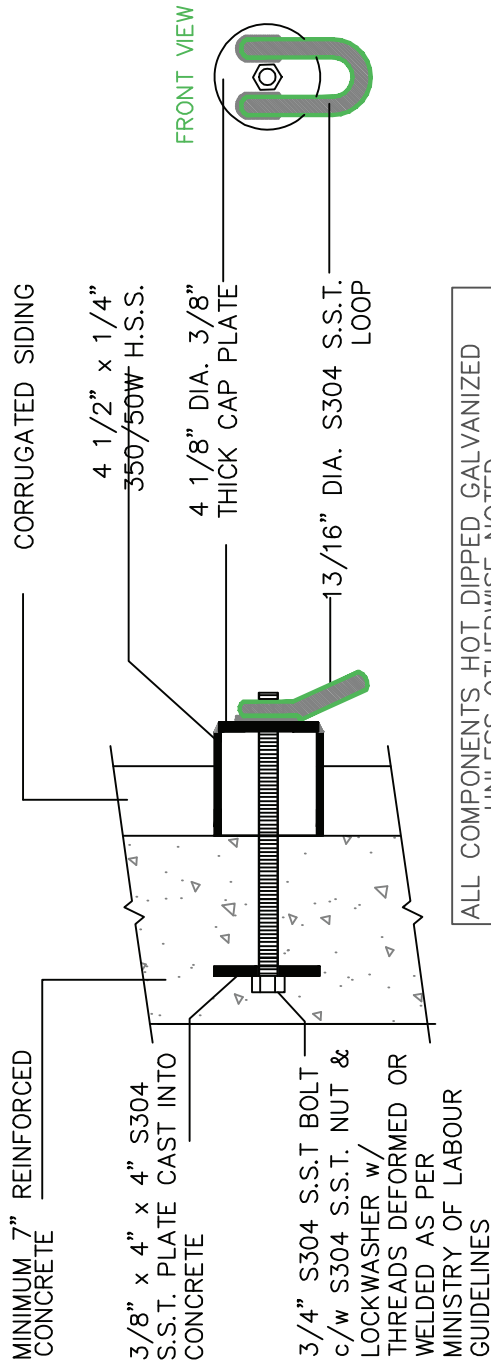
ADHESIVE

THROUGH-BOLTED

CAST-IN-PLACE

EXTENSION

SA-62
SA-62-SS



ALL COMPONENTS HOT DIPPED GALVANIZED UNLESS OTHERWISE NOTED

G R A S P



52 Bramwin Court • Brampton, ON • L6T 5G2
T 905.792.8600 • F 905.792.8601 • TF 1.800.268.2688
www.lexcor.net • info@lexcor.net

WALL ANCHORS

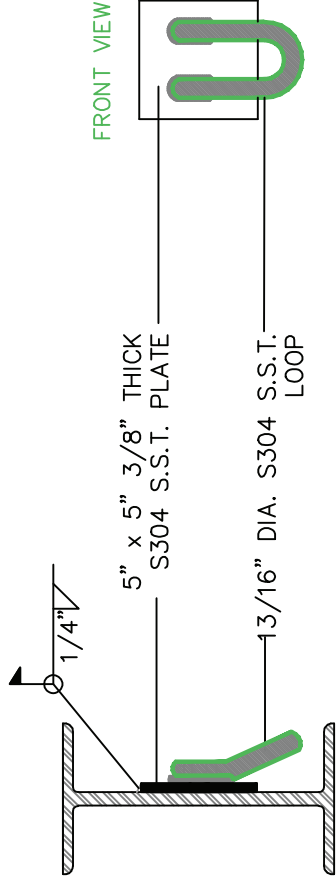
ADHESIVE

THROUGH-BOLTED

CAST-IN-PLACE

WELDABLE

SA-71



NOTE: ENGINEER TO CONFIRM
CAPACITY OF BEAM

G R A S P



52 Bramwin Court • Brampton, ON • L6T 5G2
T 905.792.8800 • F 905.792.8801 • TF 1.800.268.2889
www.lexcor.net • info@lexcor.net

